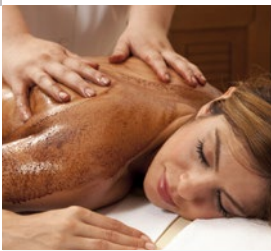
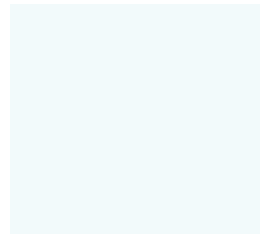




—
Together
with You
since
1989





Meden-Inmed was founded in 1989 as a company employing two people. Since then, it has gained a strong market position through hard work and reliability. Initially a small distributor of a few renowned manufacturers, now a dynamic medium-sized company with over 200 employees - professionals in the fields of electronics, mechanics, economy, sales and marketing. Over 70% of them have higher education.

Modern rehabilitation combines specialized knowledge with state of the art technology. We knew that when we started our own production plant in 1996 and are even more convinced of it now, when we create new products and widen our offer of medical devices each year. We make sure they are modern, efficient, comfortable and user friendly. We are always happy to see new ideas turn into new products.

Every product we have sold proves the trust our customers have placed in us. Behind every device we deliver there is a long-term relationship. Our customers consciously select a supplier that not only delivers the equipment, but can also guarantee quality and professional service. It has always been our duty and our motto.

To address the growing needs of our customers we have now expanded the range of our products. Our goal is to deliver you complete range of equipment required by professionals in the field of rehabilitation. This catalogue shows just a part of our offer and is dedicated to professional equipment for kinesiotherapy.

We will help you choose the best equipment that is tailored to your needs. Let this catalogue be your guide to our products. Meden-Inmed's Team will assist you in every matter of our cooperation. We are always here to hear your voice. Your feedback is always welcome and appreciated.

Ph.D. Eng. Wiesław Zinka
President
Meden-Inmed Company

Maciej Zinka
Vice President
Sales & Marketing

Our awards:



European Medal 2016
 European Medal 2015
 European Medal 2014
 European Medal 2013
 European Medal 2012
 European Medal 2011
 European Medal 2010
 European Medal 2009
 European Medal 2008
 European Medal 2007

European Economic and Social Committee and Business Center Club



Diamond of FORBES Magazine 2009



Ambassador of Polish Economy in category:

Exporter, 2014
XXI century solution creator, 2013
Partner of foreign companies, 2012



Perfect Line 2009 SPA Business



Gazelle of Business 2008
Gazelle of Business 2007
Gazelle of Business 2006



Awards of biggest rehabilitation equipment fairs in Poland - Rehabilitacja Fairs

XXII Rehabilitation Fair Łódź 2014
XXI Rehabilitacja Łódź 2013
XVI Rehabilitacja Łódź 2008
XV Rehabilitacja Łódź 2007
XIV Rehabilitacja Łódź 2006
XIII Rehabilitacja Łódź 2005
X Rehabilitacja Łódź 2002
VIII Rehabilitacja Łódź 2000



5th rank on the list of 100 best companies in the region

II Euroregional Economic Presentation Szczecin 2002



Investment of the year 2009

Polish Federation of Engineering Associations



Product of West Pomerania 2015
Product of West Pomerania 2012
Product of West Pomerania 2010
Product of West Pomerania 2009
Product of Pomerania 2009
Product of Pomerania 2008
Product of Pomerania 2007

Polish Federation of Engineering Associations



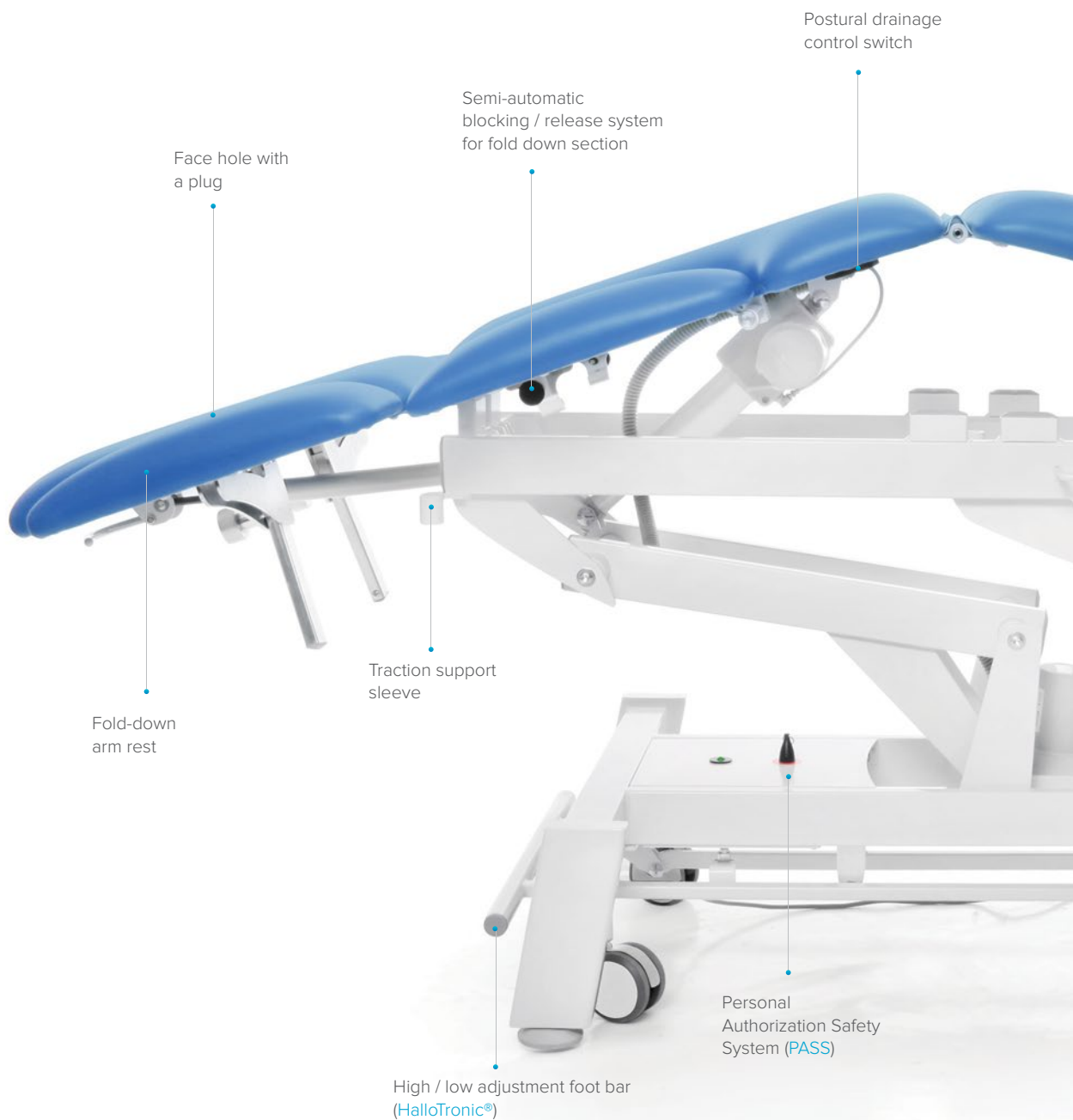
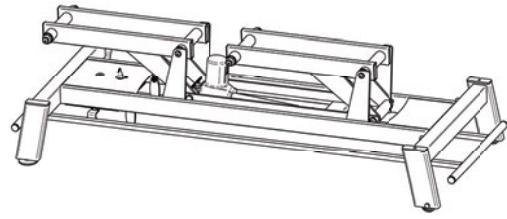
Product of Koszalin 2014
Product of Koszalin 2013
Product of Koszalin 2010
Product of Koszalin 2009
Product of Koszalin 2008
Product of Koszalin 2007
Product of Koszalin 2006

Polish Federation of Engineering Associations

Types of base system:

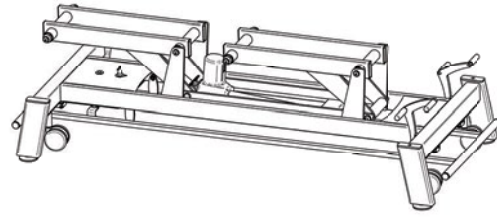
F0

F0 system composed of 2 legs with non-slip rubber feet and 2 small wheels for moving of Prestige Table by lifting it from one side. The system is recommended for users who relocate their Prestige Table less frequently.



F4

System composed of 4 directional castors with central brake allows you very easy and fast relocation of Prestige Table with or without a patient.



Side brackets for stabilization belts

Two-layer padding with non-flammable, bio-compatible and scratchproof upholstery in many colours

Special Aluminium Sliding System (only in versions with Pivot position)

Release handle for gas spring system in leg section

Powerful electric motor

F4 lifting system

Non-slip foot with 1 cm height adjustment



Years of experience

... of doctors and physiotherapists, listening to the needs of thousands of patients, our individual research and passion for innovations led to creation of a stable, **reliable and extremely functional table line** for physiotherapy and massage.

The whole Meden-Inmed Family composed of doctors and physiotherapists, patients who advised us, R&D and design teams, production and assembling crews, marketing and market analysis team, sales teams and management is proud to present you – **Terapeuta Prestige Table Line**.

You can now enjoy the **high quality and high functionality of Terapeuta Prestige Table Line**. Just choose one of Prestige Tables which will suit your needs and the needs of your patients. We care about your opinion so if you think that something should be changed or added in the current Terapeuta Prestige Table Line please let us know what you think by emailing to: prestige@meden.com.pl

Unique features of Prestige Tables:

1. High quality upholstery!

In order to guarantee comfort of patients and high functionality for users each upholstery has a **two-layer padding** with specially selected density of foams. After years of checking various upholstery samples, one of our experts finally found an ultra-proof upholstery which is:

- Non-flammable
- Bio-compatible
- Scratchproof

The unique features of upholstery together with high durability of the powder paint used for covering the metal elements will allow you to enjoy your Terapeuta Prestige Table for many years.

There is also possibility to buy couches with extremely durable upholstery made with 100% Polyurethane (**Premium Upholstery**).



2. We care about your working comfort!

That's why we invented the unique **HalloTronic®** System that enables high/low height adjustment via hallotrons without the use of mechanical switches. Thanks to **HalloTronic®** System you can choose the right height of your Prestige Table without effort and noise. This solution assures the comfort of patient and comfort of work and eliminates many occupational hazards and it's symptoms (e.g. back pain after working many hours in an uncomfortable position). **HalloTronic®** System allows you to adjust height of your table with help of a foot bar from each side of your Prestige Table with just a slight movement of your foot. Enjoy the benefits of your new Prestige Table and unique features of **HalloTronic®** System:

- High/low height adjustment via electronically controlled actuator
- No noise during lifting
- Long life span
- Reliability
- Operated with minimal force by foot
- High/low height adjustment via shifting of bar, easily accessible from each side of Prestige Table

Prestige Tables ensure smooth high/low height adjustment with a powerful electric motor with capacity up to 225 kg.



3. Wheeling systems tailored to your needs!

You can choose between F0 and F4 wheeling system. F0 system composed of 2 legs and 2 small wheels allows for moving of Prestige Table by lifting it from one side. The system is recommended for users who relocate their Prestige Table less frequently. F4 system composed of 4 directional castors with central brake allows you for a very easy and fast relocation of Prestige Table with or without a patient.

4. Easy adjustment as you wish!

Enjoy the **easy adjustment of Prestige Table's sections** with the help of gas springs. Ergonomically located and designed release handles **allow you to adjust sections of your Prestige Table the way you need** practically without any effort and with one hand. Choose postural drainage (pivot) option to allow for easy positioning of the patient in order to perform better. You are able to adjust the postural drainage via an electronically controlled actuator by easily accessible two postural drainage control switches from both sides of your Prestige Table. Specially invented and protected **Special Aluminium Sliding System (SASS)** in Prestige Tables with postural drainage option increases the stability of leg section and allows for smooth and easy section adjustment.

5. Guarantee your practice the ultimate safety!

All Prestige Tables have an integrated electronic control unit allowing for height adjustment and adjustment of the postural drainage option with an indication of stand-by mode (green light) and **Personal Authorization Safety System (PASS)**. Each Prestige Table is equipped with two magnetic safety keys (PASS Keys) in order to prevent unauthorized use of a table which may lead to severe accidents and compensation claims. What is more, all Prestige Tables have a **special safety system** that prevents table from folding down in case of power shortage or actuator damage.

Tables are manufactured in conformity with the certified quality management systems: ISO 9001:2008, ISO 13485:2003, CE:96106-2011-CE-POL-NA.

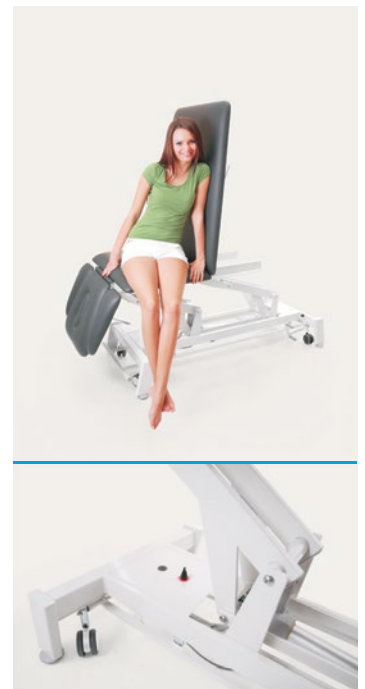
6. The devil is in the details!

All details of Prestige Tables are designed to help you in the therapy and leverage your business with their functionality, durability and great design. It is physiotherapists and other professionals that helped us in design of **semi-automatic blocking/release system for fold-down side sections, comfortable arm rests and ergonomic table top** allowing for an easy access to the patient. Prestige Tables have side brackets which allow for a fixation of the patient with belts or attachment of exercise bands. **Non-slip feet** increase the stability. And it is patients who contributed to the **anatomical design of the face hole**. We covered screws and other protruding elements with unobtrusive plastic covers.

7. We care about the production process!

All frames are welded automatically by high quality robotic system, which makes Prestige Tables **very stable and resistant over years**. Metal parts are being covered using the most advanced technological processes in a modern powder painting line. This means that you will enjoy the high quality of your Prestige Table for years and the maintenance (e.g. cleaning) will be a pleasure.

For more information about each of the Prestige Tables please look at the product sheets or contact us.





Terapeuta Prestige M-S2 | 2-section table



 Box dimensions: **220 x 85 x 75 cm** Weight: **+50 kg**

 Length: **202 cm**

 Height: **47-95 cm**

 Width: **69 cm**

 Weight: **80/95 kg**

 Max load: **225 kg**

Features:

- 2-section massage and treatment table
- Adjustable head section from -70° to $+40^{\circ}$ with a gas spring
- Face hole in the head section with a removable face hole cover
- Two-layer padding with non-flammable, bio-compatible and scratchproof upholstery in many colours
- Powder coated, extremely stable steel frame
- 2 side brackets for fixation of stabilization belts and elastic bands
- Traction support sleeves
- Personal Authorization Safety System with 2 safety magnetic keys
- HalloTronic® System for electric high/low height adjustment from 47 to 95 cm with a capacity up to 225 kg
- Powder coated steel high/low height adjustment foot bar accessible from each side of the table
- Non-slip rubber feet with 1 cm height adjustment allowing for the levelling of the table

Additional option:

- Built-in adjustable surface heating system

”

I've been using several types of Meden-Inmed's Tables for over 15 years and I do recommend them. I value their quality and design. I appreciate the care of the manufacturer about the ergonomics of my work. I like the flexibility they give with all the adjustments they have. The lack of noise and stable work of motors and gas springs give my patients and me the comfort. I recommend Meden-Inmed's Tables.

Lech Wojdyła

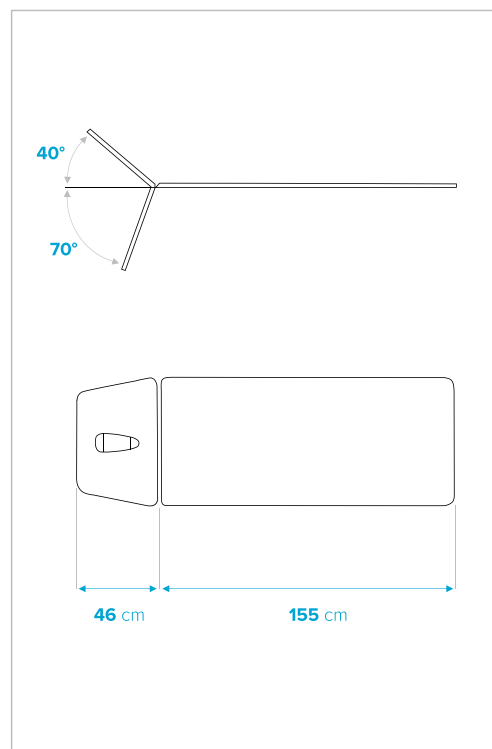
Neurac Instructor

Ordering information:

M-S2.F0: 2-section massage and treatment table with basic wheeling system composed of 2 small wheels and 2 legs with non-slip rubber feet.

M-S2.F4: 2-section massage and treatment table with dual-lever retractable castor wheeling system composed of 4 directional castors with central brake and 4 legs with non-slip rubber feet.

Table articulations:




Terapeuta Prestige M-S3

3-section table



 Box dimensions: **220 x 85 x 75 cm** Weight: **+50 kg**

 Length: **202 cm**

 Height: **47-95 cm**

 Width: **69 cm**

 Weight: **85/100 kg**

 Max load: **225 kg**

Features:

- 3-section massage and treatment table
- Adjustable head section from -70° to $+40^{\circ}$ with a gas spring
- Face hole in the head section with a removable face hole cover
- Adjustable leg section from 0° to 85° with a gas spring
- Release handle of the gas spring system in the leg section accessible from both sides of the table
- Two-layer padding with non-flammable, bio-compatible and scratchproof upholstery in many colours
- Powder coated, extremely stable steel frame
- 2 side brackets for the fixation of stabilization belts and elastic bands
- Traction support sleeves
- Personal Authorization Safety System with 2 safety magnetic keys
- HalloTronic® System for electric high/low height adjustment from 47 to 95 cm with a capacity up to 225 kg
- Powder coated steel high/low height adjustment foot bar accessible from each side of the table
- Non-slip rubber feet with 1 cm height adjustment allowing for the levelling of the table

Additional option:

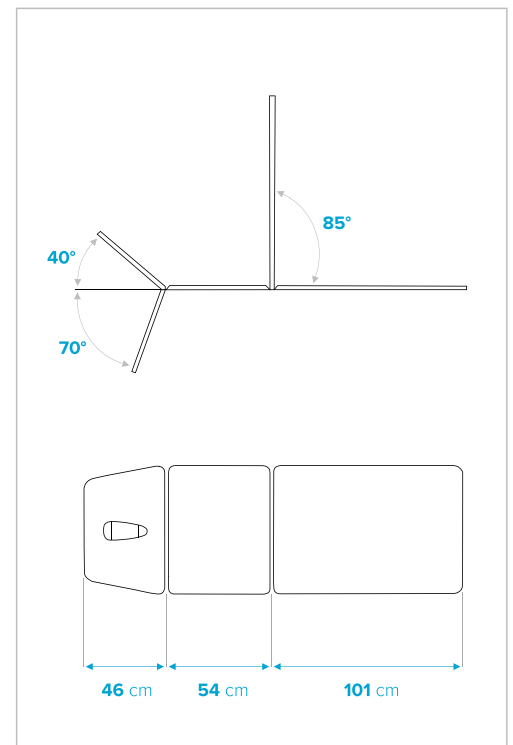
- Built-in adjustable surface heating system

Ordering information:

M-S3.F0: 3-section massage and treatment table with basic wheeling system composed of 2 small wheels and 2 legs with non-slip rubber feet.

M-S3.F4: 3-section massage and treatment table with dual-lever retractable castor wheeling system composed of 4 directional castors with central brake and 4 legs with non-slip rubber feet.

Table articulations:



Terapeuta Prestige M-P3

3-section table




 Box dimensions: **220 x 85 x 75 cm** Weight: **+50 kg**

 Length: **205 cm**

 Height: **51-99 cm**

 Width: **69 cm**

 Weight: **95/110 kg**

 Max load: **225 kg**

Features:

- 3-section massage and treatment table with the postural drainage setting
- Postural drainage with an electric motor operated by 2 switches from both sides of the table
- Adjustable head section from -70° to $+40^{\circ}$ with a gas spring
- Face hole in the head section with a removable face hole cover
- Adjustable leg section from 0° to 85° with a gas spring
- Special Aluminium Sliding System for extra stability of the leg section
- Release handle of the gas spring system in the leg section accessible from both sides of the table
- Two-layer padding with non-flammable, bio-compatible and scratchproof upholstery in many colours
- Powder coated, extremely stable steel frame
- 2 side brackets for the fixation of stabilization belts and elastic bands
- Traction support sleeves
- Personal Authorization Safety System with 2 magnetic safety keys
- HalloTronic® System for electric high/low height adjustment from 51 to 99 cm with a capacity up to 225 kg
- Powder coated steel high/low height adjustment foot bar accessible from each side of the table
- Non-slip rubber feet with 1 cm height adjustment allowing for the levelling of the table

Additional option:

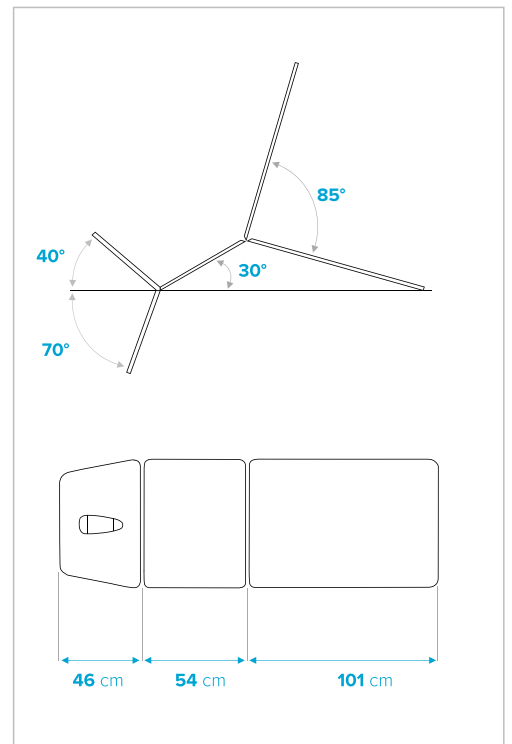
- Built-in adjustable surface heating system

Ordering information:

M-P3.F0: 3-section massage and treatment table with basic wheeling system composed of 2 small wheels and 2 legs with non-slip rubber feet.

M-P3.F4: 3-section massage and treatment table with dual-lever retractable castor wheeling system composed of 4 directional castors with central brake and 4 legs with non-slip rubber feet.

Table articulations:





Terapeuta Prestige M-S4

4-section table



 Box dimensions: **220 x 85 x 75 cm** Weight: **+50 kg**

 Length: **202 cm**

 Height: **47-95 cm**

 Width: **69 cm**

 Weight: **87/102 kg**

 Max load: **225 kg**

Features:

- 4-section massage and treatment table
- Adjustable head section from -70° to +40° with a gas spring
- Face hole in the head section with a removable face hole cover
- Fold-down arm rests in head section
- Two-layer padding with non-flammable, bio-compatible and scratchproof upholstery in many colours
- Powder coated, extremely stable steel frame
- 2 side brackets for the fixation of stabilization belts and elastic bands
- Traction support sleeves
- Personal Authorization Safety System with 2 magnetic safety keys
- HalloTronic® System for electric high/low height adjustment from 47 to 95 cm with a capacity up to 225 kg
- Powder coated steel high/low height adjustment foot bar accessible from each side of the table
- Non-slip rubber feet with 1 cm height adjustment allowing for the levelling of the table

Additional option:

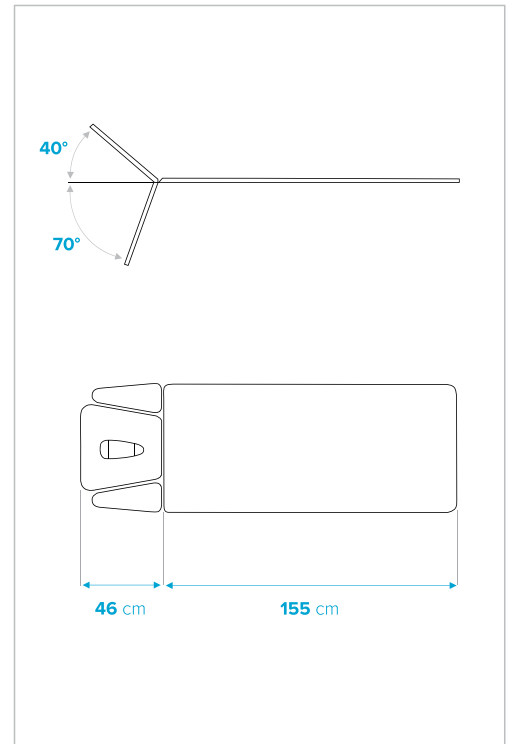
- Built-in adjustable surface heating system

Ordering information:

M-S4.F0: 4-section massage and treatment table with basic wheeling system composed of 2 small wheels and 2 legs with non-slip rubber feet.

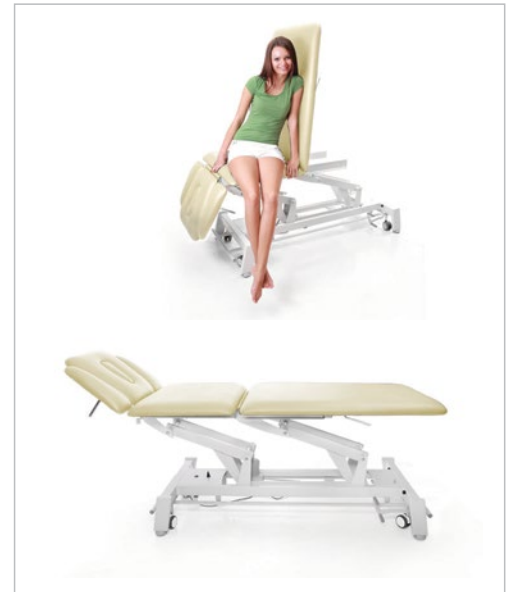
M-S4.F4: 4-section massage and treatment table with dual-lever retractable castor wheeling system composed of 4 directional castors with central brake and 4 legs with non-slip rubber feet.

Table articulations:



Terapeuta Prestige M-S5


5-section table




 Box dimensions: **220 x 85 x 75 cm** Weight: **+50 kg**

 Length: **205 cm**

 Height: **47-95 cm**

 Width: **69 cm**

 Weight: **92/107 kg**

 Max load: **225 kg**

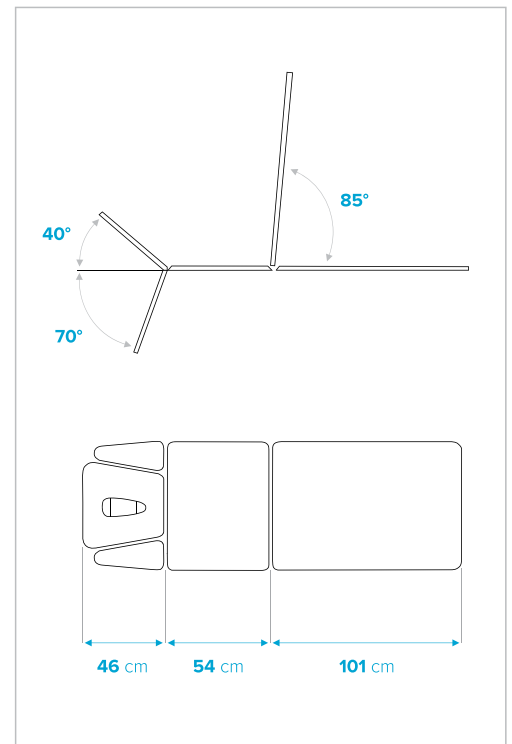
Features:

- 5-section massage and treatment table
- Adjustable head section from -70° to $+40^{\circ}$ with a gas spring
- Face hole in the head section with a removable face hole cover
- Fold-down arm rests in the head section
- Adjustable leg section from 0° to 85° with a gas spring
- Release handle of the gas spring system in the leg section accessible from both sides of the table
- Two-layer padding with non-flammable, bio-compatible and scratchproof upholstery in many colours
- Powder coated, extremely stable steel frame
- 2 side brackets for the fixation of stabilization belts and elastic bands
- Personal Authorization Safety System with 2 magnetic safety keys
- HalloTronic® System for electric high/low height adjustment from 47 to 95 cm with a capacity up to 225 kg
- Powder coated steel high/low height adjustment foot bar accessible from each side of the table
- Non-slip rubber feet with 1 cm height adjustment allowing for the levelling of the table

Additional option:

- Built-in adjustable surface heating system

Table articulations:



Ordering information:

M-S5.F0: 5-section massage and treatment table with basic wheeling system composed of 2 small wheels and 2 legs with non-slip rubber feet.

M-S5.F4: 5-section massage and treatment table with dual-lever retractable castor wheeling system composed of 4 directional castors with central brake and 4 legs with non-slip rubber feet.



Terapeuta Prestige M-P5

5-section table



Box dimensions: **220 x 85 x 75 cm** Weight: **+50 kg**



Length: **205 cm**



Height: **51-99 cm**



Width: **69 cm**



Weight: **102/117 kg**



Max load: **225 kg**

Features:

- 5-section massage and treatment table with postural drainage setting
- Postural drainage with an electric motor operated by 2 switches from both sides of the table
- Adjustable head section from -70° to +40° with a gas spring
- Face hole in the head section with a removable face hole cover
- Fold-down arm rests in the head section
- Adjustable leg section from 0° to 85° with a gas spring
- Special Aluminium Sliding System for extra stability of leg section
- Release handle of the gas spring system in the leg section accessible from both sides of the table
- Two-layer padding with non-flammable, bio-compatible and scratchproof upholstery in many colours
- Powder coated, extremely stable steel frame
- 2 side brackets for the fixation of stabilization belts and elastic bands
- Personal Authorization Safety System with 2 magnetic safety keys
- HalloTronic® System for electric high/low height adjustment from 51 to 99 cm with a capacity up to 225 kg
- Powder coated steel high/low height adjustment foot bar accessible from each side of the table
- Non-slip rubber feet with 1 cm height adjustment allowing for the levelling of the table

Additional option:

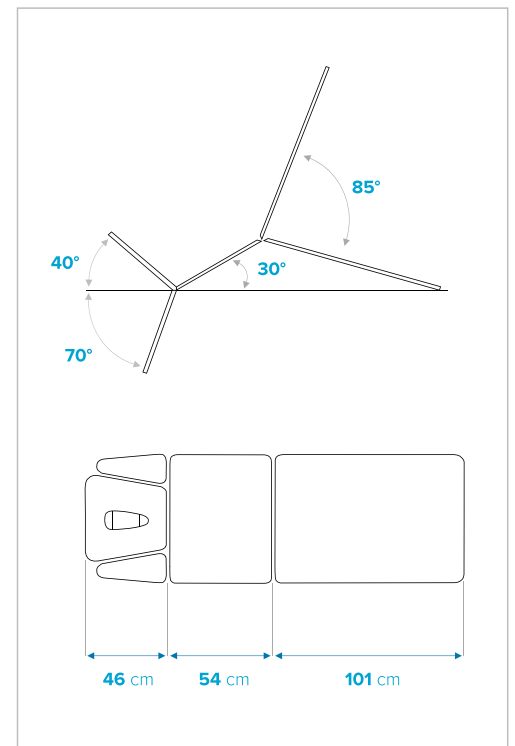
- Built-in adjustable surface heating system

Ordering information:

M-P5.F0: 5-section massage and treatment table with basic wheeling system composed of 2 small wheels and 2 legs with non-slip rubber feet.

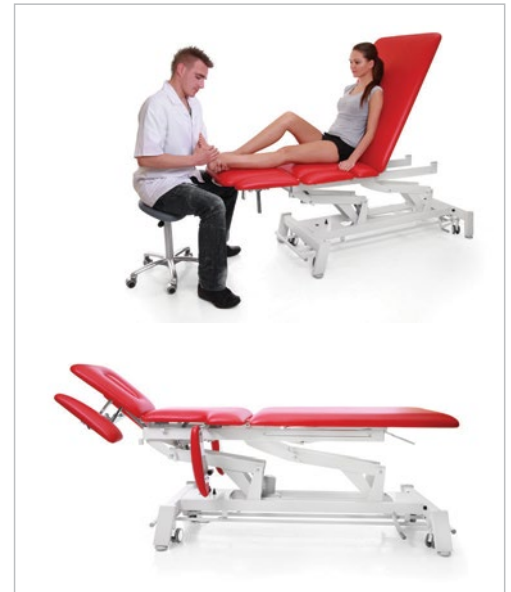
M-P5.F4: 5-section massage and treatment table with dual-lever retractable castor wheeling system composed of 4 directional castors with central brake and 4 legs with non-slip rubber feet.

Table articulations:




Terapeuta Prestige M-S7

7-section table




 Box dimensions: **220 x 85 x 75 cm** Weight: **+50 kg**

 Length: **205 cm**

 Height: **47-95 cm**

 Width: **69 cm**

 Weight: **95/110 kg**

 Max load: **225 kg**

Features:

- 7-section massage and treatment table
- Adjustable head section from -70° to $+40^{\circ}$ with a gas spring
- Face hole in the head section with a removable face hole cover
- Fold-down side sections in the middle section with a semi-automatic blocking/release system
- Fold-down arm rests in the head section
- Adjustable leg section from 0° to 85° with a gas spring
- Release handle of the gas spring system in the leg section accessible from both sides of the table
- Two-layer padding with non-flammable, bio-compatible and scratchproof upholstery in many colours
- Powder coated, extremely stable steel frame
- 2 side brackets for the fixation of stabilization belts and elastic bands
- Traction support sleeves
- Personal Authorization Safety System with 2 magnetic safety keys
- HalloTronic® System for electric high/low height adjustment from 47 to 95 cm with a capacity up to 225 kg
- Powder coated steel high/low height adjustment foot bar accessible from each side of the table
- Non-slip rubber feet with 1 cm height adjustment allowing for the levelling of the table

Additional option:

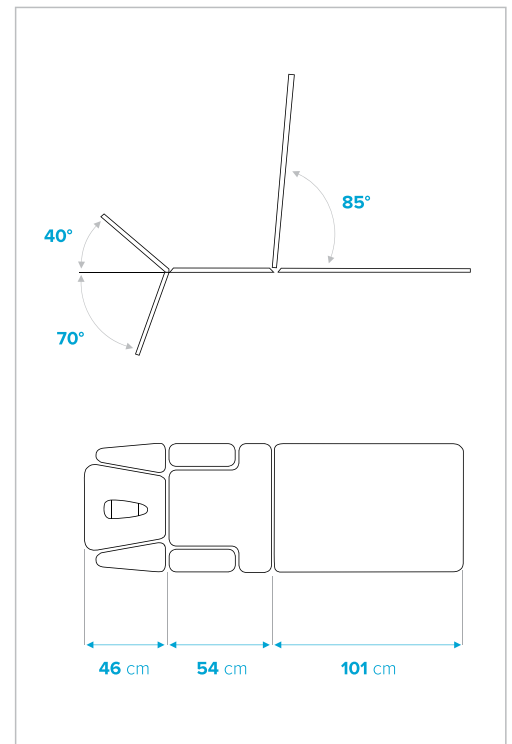
- Built-in adjustable surface heating system

Ordering information:

M-S7.F0: 7-section massage and treatment table with basic wheeling system composed of 2 small wheels and 2 legs with non-slip rubber feet.

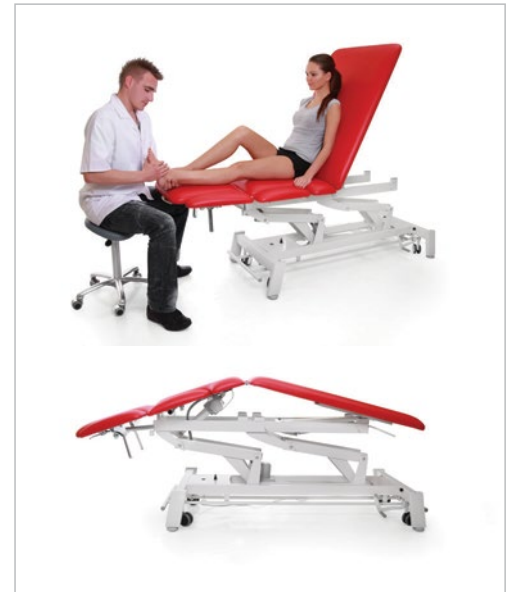
M-S7.F4: 7-section massage and treatment table with dual-lever retractable castor wheeling system composed of 4 directional castors with central brake and 4 legs with non-slip rubber feet.

Table articulations:




Terapeuta Prestige M-P7


7-section table



 Box dimensions: **220 x 85 x 75 cm** Weight: **+50 kg**

 Length: **205 cm**

 Height: **51-99 cm**

 Width: **69 cm**

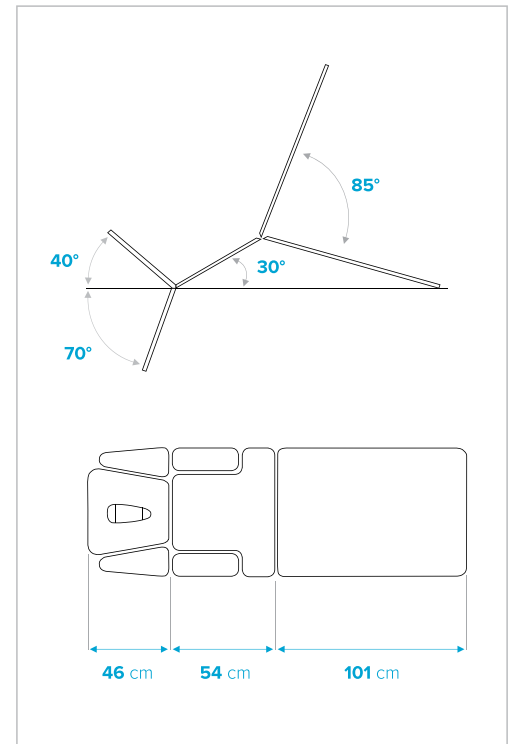
 Weight: **105/120 kg**

 Max load: **225 kg**

Features:

- 7-section massage and treatment table with a postural drainage setting
- Postural drainage with an electric motor operated by 2 switches from both sides of the table
- Adjustable head section from -70° to +40° with a gas spring
- Face hole in the head section with a removable face hole cover
- Fold-down arm rests in the head section
- Fold-down side sections in the middle section with a semi-automatic blocking/release system
- Adjustable leg section from 0° to 85° with a gas spring
- Special Aluminium Sliding System for extra stability of leg section
- Release handle of the gas spring system in the leg section accessible from both sides of the table
- Two-layer padding with non-flammable, bio-compatible and scratchproof upholstery
- Powder coated, extremely stable steel frame
- 2 side brackets for the fixation of stabilization belts and elastic bands
- Traction support sleeves
- Personal Authorization Safety System with 2 magnetic safety keys
- HalloTronic® System for electric high/low height adjustment from 51 to 99 cm with a capacity up to 225 kg
- Powder coated steel high/low height adjustment foot bar accessible from each side of the table
- Non-slip rubber feet with 1 cm height adjustment allowing for the levelling of the table

Table articulations:



Additional option:

- Built-in adjustable surface heating system

Ordering information:

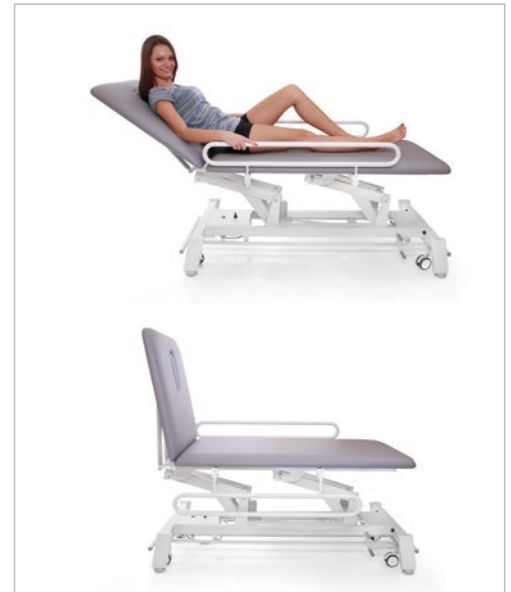
M-P7.F0: 7-section massage and treatment table with basic wheeling system composed of 2 small wheels and 2 legs with non-slip rubber feet.

M-P7.F4: 7-section massage and treatment table with dual-lever retractable castor wheeling system composed of 4 directional castors with central brake and 4 legs with non-slip rubber feet.




Terapeuta Prestige E-S2

2-section table



 Box dimensions: **220 x 85 x 75 cm** Weight: **+50 kg**

 Length: **205 cm**

 Height: **47-95 cm**

 Width: **69 cm**

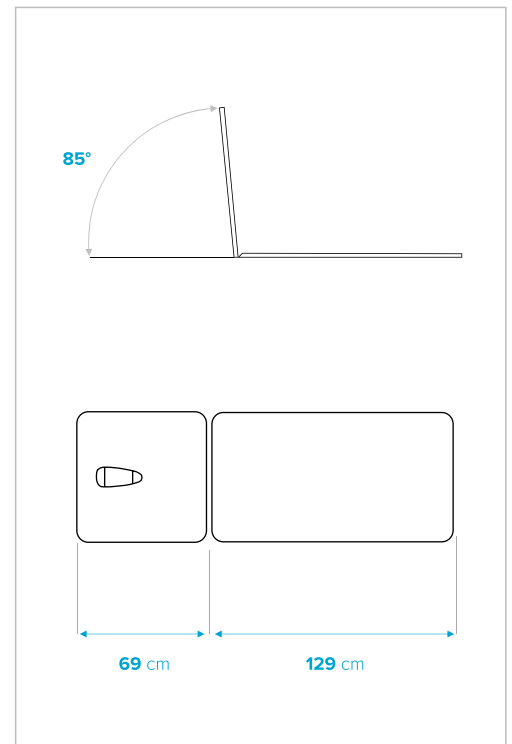
 Weight: **80/95 kg**

 Max load: **225 kg**

Features:

- 2-section massage and treatment table with a long head section
- Adjustable long head section from 0° to +85° with a gas spring
- Face hole in the head section with a removable face hole cover
- Two-layer padding with non-flammable, bio-compatible and scratchproof upholstery in many colours
- Powder coated, extremely stable steel frame
- Optional 2 side brackets for the fixation of stabilization belts and elastic bands or 2 retractable side railings for fall prevention
- Personal Authorization Safety System with 2 safety magnetic keys
- HalloTronic® System for electric high/low height adjustment from 47 to 95 cm with a capacity up to 225 kg
- Powder coated steel high/low height adjustment foot bar accessible from each side of the table
- Non-slip rubber feet with 1 cm height adjustment allowing for the levelling of the table

Table articulations:



Ordering information:

E-S2.F0: 2-section massage and treatment table with basic wheeling system composed of 2 small wheels and 2 legs with non-slip rubber feet.

E-S2.F4: 2-section massage and treatment table with dual-lever retractable castor wheeling system composed of 4 directional castors with central brake and 4 legs with non-slip rubber feet.




Terapeuta Prestige O-S5


5-section osteopathy and manual therapy table



 Box dimensions: **220 x 85 x 75 cm** Weight: **+50 kg**

 Length: **205 cm**

 Height: **47-95 cm**

 Width: **59 cm**

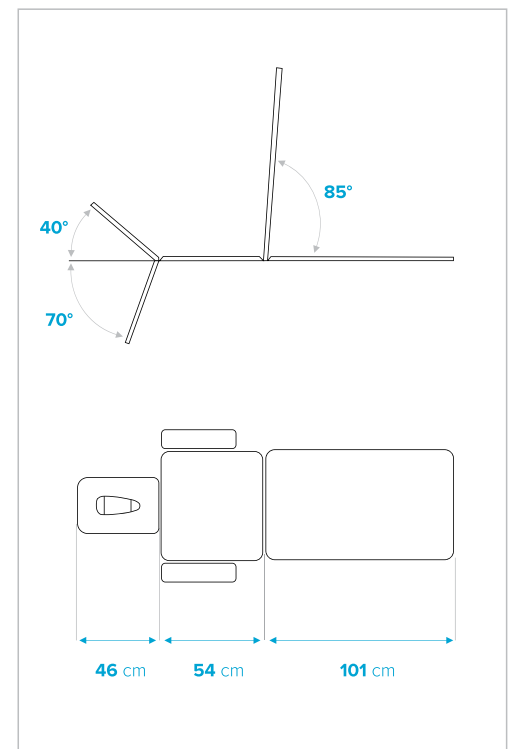
 Weight: **92/107 kg**

 Max load: **225 kg**

Features:

- 5-section osteopathy and manual therapy table
- Narrow (31 cm), adjustable head section from -70° to +40° with gas spring
- Face hole in the head section with a removable face hole cover
- Fold-down side sections allowing broadening of middle section if necessary
- Adjustable leg section from 0° to +85° with 2 gas springs
- Release handle of the gas spring system in the leg section accessible from both sides of the table
- Two-layer padding with non-flammable, bio-compatible and scratchproof upholstery in many colours
- Powder coated, extremely stable steel frame
- 2 side brackets for fixation of stabilization belts and elastic bands
- Traction support sleeves
- Personal Authorization Safety System with 2 magnetic safety keys
- HalloTronic® System for electric high/low height adjustment from 47 to 95 cm with a capacity up to 225 kg
- Powder coated steel high/low height adjustment foot bar accessible from each side of the table
- Non-slip rubber feet with 1 cm height adjustment allowing for the levelling of the table
- Ergonomic design

Table articulations:



Ordering information:

O-S5.F0: 5-section massage and treatment table with basic wheeling system composed of 2 small wheels and 2 legs with non-slip rubber feet.

O-S5.F4: 5-section massage and treatment table with dual-lever retractable castor wheeling system composed of 4 directional castors with central brake and 4 legs with non-slip rubber feet.




Terapeuta Prestige O-P5

5-section osteopathy and manual therapy table with postural drainage





 Box dimensions: **220 x 85 x 75 cm** Weight: **+50 kg**

 Length: **205 cm**

 Height: **51-99 cm**

 Width: **59 cm**

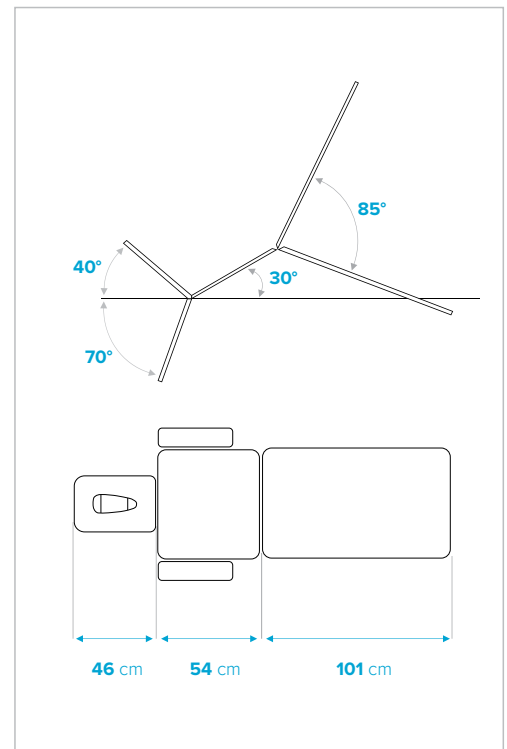
 Weight: **102/117 kg**

 Max load: **225 kg**

Features:

- 5-section osteopathy and manual therapy table with the postural drainage setting
- Postural drainage with electric motor operated by 2 switches from both sides of the table
- Narrow (31 cm), adjustable head section from -70° to $+40^{\circ}$ with gas spring
- Face hole in the head section with a removable face hole cover
- Fold-down side sections allowing for the broadening of middle section if necessary
- Adjustable leg section from 0° to $+85^{\circ}$ with 2 gas springs
- Special Aluminium Sliding System for extra stability of leg section
- Release handle of the gas spring system in the leg section accessible from both sides of the table
- Two-layer padding with non-flammable, bio-compatible and scratchproof upholstery in many colours
- Powder coated, extremely stable steel frame
- 2 side brackets for the fixation of stabilization belts and elastic bands
- Traction support sleeves
- Personal Authorization Safety System with 2 magnetic safety keys
- HalloTronic® System for electric high/low height adjustment from 51 to 99 cm with a capacity up to 225 kg
- Powder coated steel high/low height adjustment foot bar accessible from each side of the table
- Non-slip rubber feet with 1 cm height adjustment allowing for the levelling of the table
- Ergonomic design

Table articulations:



Ordering information:

O-P5.F0: 5-section table for osteopathy and manual therapy with basic wheeling system composed of 2 small wheels and 2 legs with non-slip rubber feet.

O-P5.F4: 5-section table for osteopathy and manual therapy with dual-lever retractable castor wheeling system composed of 4 directional castors with central brake and 4 legs with non-slip rubber feet.



Terapeuta Prestige

Line



Technical data:

	M-S2	M-S3	M-S5	M-P5	M-S7	M-P7	E-S2	O-S5	O-P5
Dimensions (length x width) [cm]:	202 x 69	205 x 69	205 x 69	205 x 69	205 x 69	205 x 69	205 x 69	205 x 59	205 x 59
Number of sections:	2	3	3	4	5	5	7	2	5
Head-rest inclination angle [°]:	-70/+40	-70/+40	-70/+40	-70/+40	-70/+40	-70/+40	0/+85	-70/+40	-70/+40
Middle section inclination angle [°]:	-	-	0/+30	--	-	0/+30	-	-	0/+30
Foot-rest inclination angle [°]:	-	0/+85	-30/+85	-	0/+85	-30/+85	-	0/+85	-30/+85
Height adjustment [cm]:	47-95	47-95	47-95	47-95	47-95	51-99	47-95	47-95	51-99
Weight FO/F4 [kg]:	80/95	85/100	95/110	87/102	92/107	102/117	80/95	92/107	102/117
Max. lifting capacity [kg]:	225	225	225	225	225	225	225	225	225
Power supply [V/Hz]:	230/50	230/50	230/50	230/50	230/50	230/50	230/50	230/50	230/50
Max. working load [kg]:	350	350	350	350	350	350	350	350	350



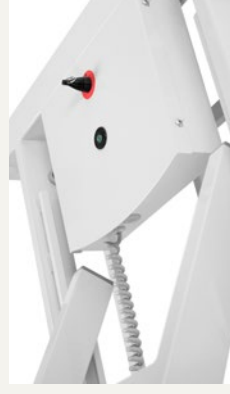
Powerful electric motor



Adjustment of postural drainage



Breathing slot shaped to place the nose and chin



Personal Authorization Safety System (PASS)





Non-slip feet with 1 cm height adjustment

Terapeuta **START 2**

2-section massage and treatment table



 Box dimensions: **198 x 66 x 17 cm** Weight: **+2 kg**

 Length: **192 cm**

 Height: **73 cm**

 Width: **60 cm**

 Weight: **42 kg**

 Max load: **150 kg**

Metal stationary treatment table for physical therapy, kinesiotherapy or simple massage. Featuring an adjustable headrest (0°-65°). Stable construction based on a steel frame. Available in 3 versions:

- no face hole
- face hole, no plug
- face hole with a plug

2-section **Terapeuta START** table designed for the massage, rehabilitation and physical therapy treatments. Combines high quality with an affordable price, which makes it an ideal solution for newly-started physical therapy centres and massage parlours or home users. Durable steel frame is powder-painted for an increased resilience. Upholstered with top-quality artificial leather resistant to mechanical wear and tear and liquids for a long and trouble-free use.

Features:

- Distinguishable, modern design
- Lightweight and stable construction
- Convenient paper roll holder
- Adjustable headrest for flexibility of treatment
- Comfortable, easily-cleaned bed top for the ease of the therapist and patient alike
- 40 mm thick upholstery for the increased comfort of the patient

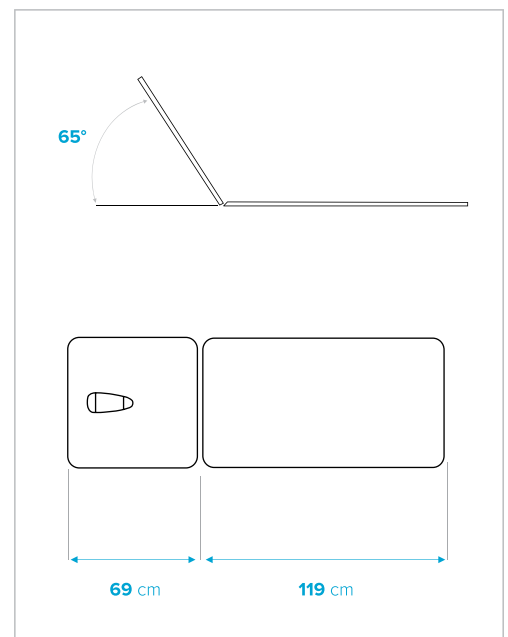
Technical data:

Number of sections:	2
Bed top length [cm]:	192
Bed top width [cm]:	60
Height [cm]:	73
Paper roll width [cm]:	60
Headrest adjustment [°]:	0/65
Load [kg]:	150

Optional accessories:

- bolsters
- semi bolsters
- wedges

Table articulations:



Matador S2

Massage and treatment table



Box dimensions: **215 x 85 x 75 cm** Weight: **+25 kg**



Length: **205 cm**



Height: **48-95 cm**



Width: **69 cm**



Weight: **60 kg**



Max load: **160 kg**

Massage and treatment table **Matador** is a perfect choice for massage, kinesiotherapy and physical therapy.

Lightweight, durable, powder-painted steel frame with the upholstery made from top-quality artificial leather in many colours ensures reliability and convenience in therapist's daily work. Massage and treatment table **Matador** is an excellent combination of high quality and low price. This makes it good solution for massage parlours, rehabilitation centers and physical therapy units.

Features:

- 2-section, massage and treatment table
- Lightweight and stable construction
- Electric height adjustment with manual remote control
- Adjustable headrest from -70° to $+40^{\circ}$ with a gas spring, with a face hole
- Non-slip rubber feet and 2 small wheels for moving of Matador table by lifting it from one side
- Non-flammable, bio-compatible and scratchproof upholstery of highest quality and functionality; wide range of upholstery colours

Technical data:

Height adjustment [cm]:	48-95
Dimensions (length x width) [cm]:	205 x 69
Weight [kg]:	60
Maximum load [kg]:	160
Paper roll width [cm]:	60
Power supply [V/Hz]:	230/50

Available models:

- Matador S1:** 1-section massage and treatment table with basic wheeling system F0 composed of 2 small wheels and 2 legs with non-slip rubber feet.
- Matador S3:** 3-section massage and treatment table with basic wheeling system F0 composed of 2 small wheels and 2 legs with non-slip rubber feet.


Additional accessories:

- Lifter F2 frame (2 castors)
- Paper roll holder
- Face hole plug
- Traction support






 Box dimensions: **220 x 85 x 75 cm** Weight: **+50 kg**

 Length: **186 cm**

 Height: **46-91 cm**

 Width: **63 cm**

 Weight: **116 kg**

 Max load: **260 kg**

Electric multi-purpose examination table suitable for general examinations. Minimum table height of 46 cm allows easy and safe sitting the patient on the table. It is an ideal solution especially for elderly patients who have trouble getting around.

The table offer possibility to place patient in the Trendelenburg and anti-Trendelenburg position.

Features:

- 3- section examination table with a long head section
- Adjustable head and foot section from -25° to 85° with a gas springs
- Trendelenburg / reverse Trendelenburg functions
- Face hole in the head section with a removable face hole cover
- Two-layer padding with non-flammable, bio-compatible and scratchproof upholstery in many colours
- Powder coated stable steel frame
- 2 retractable side safety railings for fall prevention; fold-down when table subjected to normal use activities
- Electric height adjustment using hand control pendant 46 – 91 cm
- Lift from minimum height to maximum in 30 seconds
- Battery backup, cordless operation
- 4 large 100 mm braked castors with foot locking mechanism
- Paper towel hanger at rear of backrest

Technical data:

Height adjustment [cm]:	46-91
Dimensions (length x width) [cm]:	186 x 63
Weight [kg]:	116
Maximum load [kg]:	260
Paper roll width [cm]:	60
Power supply [V/Hz]:	230/50



WaveMOTION®
Clap Tzu



Device meets the requirements for innovation



Box dimensions: **215 x 90 x 95 cm** Weight: **+30 kg**

Hovering, swinging, floating - letting go into the soothing motion. Gentle turning and swinging movements trigger a deep relaxation reflex.

The unique **WaveMOTION** therapy gives patients a sensation of pressure relief and allows manual operation in three-dimensional space. **WaveMOTION** is an advanced manual method, which has a positive effect on:

- efficiency of muscle and breathing pattern
- lymphatic system and cardiovascular system
- proprioception
- balance functions
- pain sensitivity
- joints and spine
- mood and feeling of relaxation

It's hard to imagine another treatment that would lead to such profound relaxation giving a sensation similar to hydrotherapy. **WaveMOTION** therapy born after many years of work with manual therapists and osteopaths, using the latest technologies. The table top movement - 360° rotation on a floating suspension. It can be tilt both axes.

Matthias Kühl, practitioner for 20 years and director of the **Clap Tzu** company, developed this specialized method with the help of many other therapists, inspired by Prof. Eyal Lederman's osteopathy harmonic technique and the various techniques impact on the joints and trigger points. The effect is surprising - with gentle, rhythmic movements in a short time we introduce a patient into a state of deep relaxation making it easier to achieve a therapeutic effect.

The **WaveMOTION** are also used by many therapists for conventional massage treatments.

Technical data:

	S2	S4
Dimensions (L x W) [cm]:	202 x 75	202 x 75
Section number:	2	4
Fold-down arm rests:	-	+
Head section adjustment:	+	+
Height adjustment:	+	+
Max. weight [kg]:	145	145
Max. load [kg]:	150	150
Power supply [V/Hz]:	230/50	230/50

Application in:

- Rehabilitation
- Mobilization
- Osteopathy
- Diseases caused by stress (neuralgia)
- Neurological problems (among others: spasticity)
- Non-specific pain

Models available:

- **S2:** 2-section with adjustable head section
- **S4:** 4-section with adjustable head section and fold-down arm rests

S2, S4 models: the 40°/90° headrest allows for an ergonomic positioning in the prone position, but the head of patient/client can be gently supported in the supine position. The adjustment range of the headrest is from 40° positive to 90° negative. The headrest has a round face cradle with a matching cushion.

Additional options:

- Upholstery resistant to oils (Premium Upholstery)
- Built-in surface heating system of table top (Comfort option)
- Personal Authorization System

Matthias Kühl has paved a new trend in rehabilitation tables design, presenting model WaveMOTION to the public. Working with this table allows for application of many osteopathic techniques with almost no effort on the therapist side, while maintaining high treatment efficiency!"

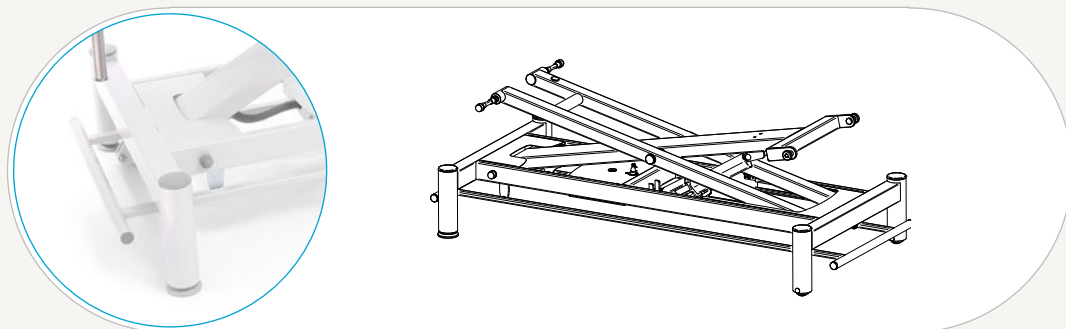
Thorsten Liem
Joint Principal of the German School of Osteopathy



Types of base system:

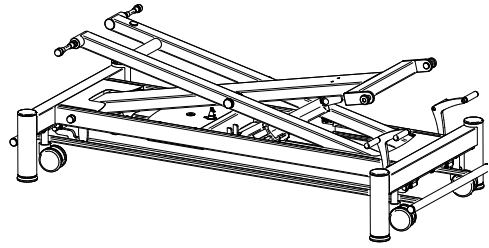
F0

F0 system composed of 2 legs with non-slip rubber feet and 2 small wheels for moving of Safari Table by lifting it from one side. The system is recommended for users who relocate their Safari Table less frequently.



F4

System composed of 4 directional castors with central brake allows you very easy and fast relocation of Safari Table with or without a patient.



2 side brackets for fixation of stabilization belts and elastic bands

Two-layer padding with non-flammable, bio-compatible and scratchproof upholstery in many colours



F4 lifting system



Personal Authorization Safety System (PASS)

Powerful electric motor

Non-slip foot with 1 cm height adjustment




Safari Puma S2

2-section massage and treatment table



 Box dimensions: **220 x 85 x 75 cm** Weight: **+50 kg**

 Length: **202 cm**

 Height: **49-95 cm**

 Width: **69 (80) cm**

 Weight: **86/99 kg**

 Max load: **200 kg**

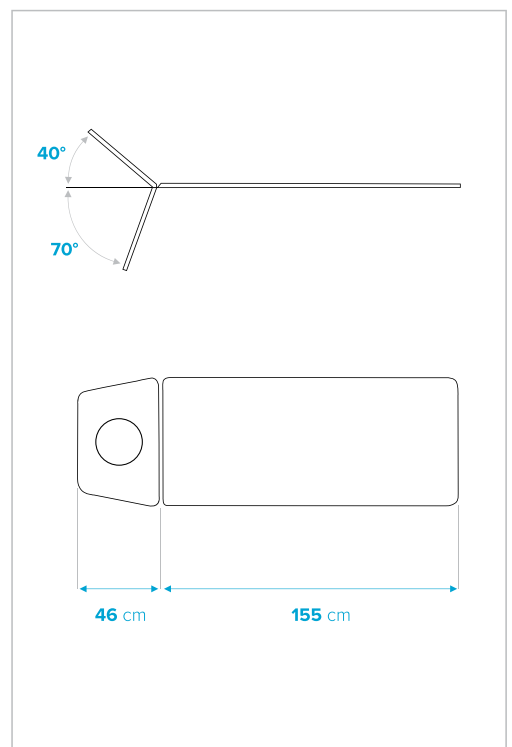
Features:

- 2-section massage and treatment table with modern design
- Width of table top: 69 or 80 cm
- Adjustable head section from -70° to +40° with a gas spring
- Round face hole in the head section with a removable face hole cover which increases patient's comfort (2 types of cover: round and crescent)
- Two-layer padding with non-flammable, bio-compatible and scratchproof upholstery in many colours
- Powder coated, stable scissor steel frame
- 2 side brackets for the fixation of stabilization belts and elastic bands
- Traction support sleeves
- Personal Authorization Safety System with 2 magnetic safety keys
- HalloTronic® System electric high/low height adjustment from 49 to 95 cm with a capacity up to 200 kg
- Powder coated steel high/low height adjustment foot bar accessible from each side of the table
- Non-slip rubber feet with 1 cm height adjustment allowing for the levelling of the table

Additional option:

- Built-in surface heating system of table top (Comfort option)

Table articulations:



Ordering information:

S2.F0: 2-section massage and treatment table with basic wheeling system composed of 2 small wheels and 2 legs with non-slip rubber feet.

S2.F4: 2-section massage and treatment table with dual-lever retractable castor wheeling system composed of 4 directional castors with central brake and 4 legs with non-slip rubber feet.




Safari Puma S4

4-section massage and treatment table



 Box dimensions: **220 x 85 x 75 cm** Weight: **+50 kg**

 Length: **202 cm**

 Height: **49-95 cm**

 Width: **69 (80) cm**

 Weight: **89/102 kg**

 Max load: **200 kg**

Features:

- 4-section massage and treatment table with modern design
- Width of table top: 69 or 80 cm
- Adjustable head section from -70° to +40° with a gas spring
- Round face hole in the head section with a removable face hole cover which increases patient's comfort (2 types of cover: round and crescent)
- Rotating slide-down arm rests in head section
- Two-layer padding with inflammable, bio-compatible and scratchproof upholstery in many colours
- Powder coated, very stable scissor steel frame
- 2 side brackets for the fixation of stabilization belts and elastic bands
- Traction support sleeves
- Personal Authorization Safety System with 2 magnetic safety keys
- HalloTronic® System electric high/low height adjustment from 49 to 95 cm with a capacity up to 200 kg
- Powder coated steel high/low height adjustment foot bar accessible from each side of the table
- Non-slip rubber feet with 1 cm height adjustment allowing for the levelling of the table

Additional option:

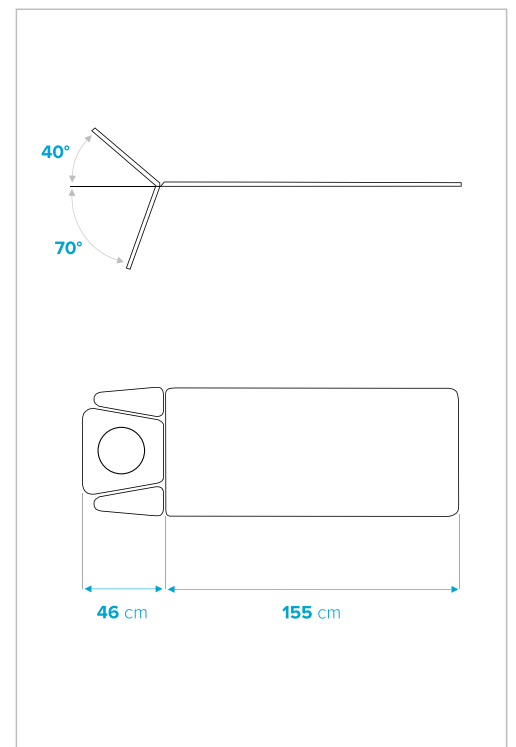
- Built-in surface heating system of table top (Comfort option)

Ordering information:

S4.F0: 4-section massage and treatment table with basic wheeling system composed of 2 small wheels and 2 legs with non-slip rubber feet.

S4.F4: 4-section massage and treatment table with dual-lever retractable castor wheeling system composed of 4 directional castors with central brake and 4 legs with non-slip rubber feet.

Table articulations:



Safari Leopard S3

3-section massage and treatment table



Box dimensions: **220 x 85 x 75 cm** Weight: **+50 kg**



Length: **205 cm**



Height: **49-95 cm**



Width: **69(80) cm**



Weight: **93/106 kg**



Max load: **200 kg**

Features:

- 3-section massage and treatment table
- Width of table top: 69 or 80 cm
- Adjustable head section from -70° to $+40^{\circ}$ with a gas spring
- Round face hole in the head section with a removable face hole cover which increases patient's comfort (2 types of cover: round and crescent)
- Adjustable leg section from 0° to 90° with a gas spring
- Two-layer padding with non-flammable, bio-compatible and scratchproof, upholstery in many colours
- Powder coated, very stable scissor steel frame
- 2 side brackets for the fixation of stabilization belts and elastic bands
- Traction support sleeves
- Personal Authorization Safety System with 2 magnetic safety keys
- HalloTronic® System electric high/low height adjustment from 49 to 95 cm with a capacity up to 200 kg
- Powder coated steel high/low height adjustment foot bar accessible from each side of the table
- Non-slip rubber feet with 1 cm height adjustment allowing for the levelling of the table

Additional option:

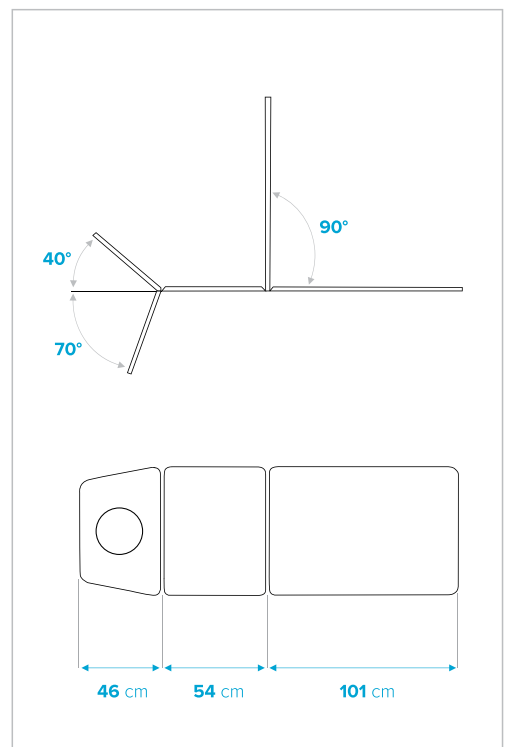
- Built-in surface heating system of table top (Comfort option)

Ordering information:

S3.F0: 3-section massage and treatment table with basic wheeling system composed of 2 small wheels and 2 legs with non-slip rubber feet.

S3.F4: 3-section massage and treatment table with dual-lever retractable castor wheeling system composed of 4 directional castors with central brake and 4 legs with non-slip rubber feet.

Table articulations:



Safari Leopard S5

5-section massage and treatment table



Box dimensions: **220 x 85 x 75 cm** Weight: **+50 kg**



Length: **205 cm**



Height: **49-95 cm**



Width: **69(80) cm**



Weight: **96/109 kg**



Max load: **200 kg**

Features:

- 5-section massage and treatment table
- Width of table top: 69 or 80 cm
- Adjustable head section from -70° to $+40^{\circ}$ with a gas spring
- Round face hole in the head section with a removable face hole cover which increases patient's comfort (2 types of cover: round and crescent)
- Rotating slide-down arm rests in the head section
- Adjustable leg section from 0° to 90° with a gas spring
- Two-layer padding with non-flammable, bio-compatible and scratchproof, upholstery in many colours
- Powder coated, very stable scissor steel frame
- 2 side brackets for the fixation of stabilization belts and elastic bands
- Traction support sleeves
- Personal Authorization Safety System with 2 magnetic safety keys
- HalloTronic® System electric high/low height adjustment from 49 to 95 cm with a capacity up to 200 kg
- Powder coated steel high/low height adjustment foot bar accessible from each side of the table
- Non-slip rubber feet with 1 cm height adjustment allowing for the levelling of the table

Additional option:

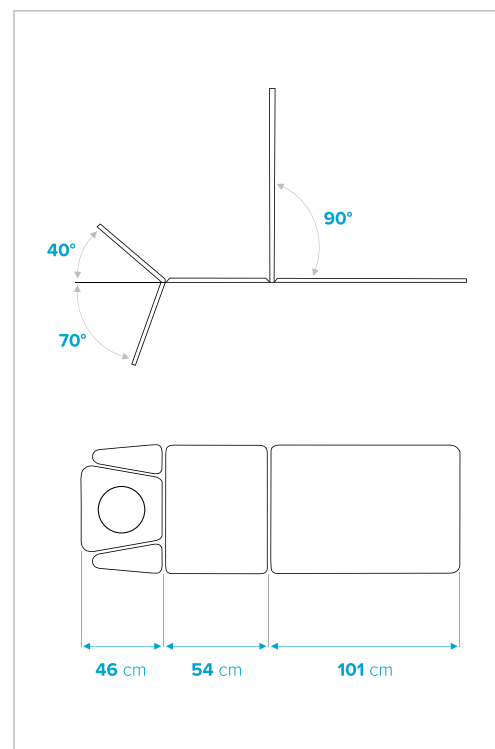
- Built-in surface heating system of table top (Comfort option)

Ordering information:

S5.F0: 5-section massage and treatment table with basic wheeling system composed of 2 small wheels and 2 legs with non-slip rubber feet.

S5.F4: 5-section massage and treatment table with dual-lever retractable castor wheeling system composed of 4 directional castors with central brake and 4 legs with non-slip rubber feet.

Table articulations:



Safari Jaguar P3

3-section massage and treatment table



Box dimensions: **220 x 85 x 75 cm** Weight: **+50 kg**



Length: **205 cm**



Height: **51-97 cm**



Width: **69(80) cm**



Weight: **99/112 kg**



Max load: **200 kg**

Features:

- 3-section massage and treatment table with postural drainage setting
- Postural drainage with an electric motor operated by 2 switches from both sides of the table
- Width of table top: 69 or 80 cm
- Adjustable head section from -70° to $+40^{\circ}$ with a gas spring
- Round face hole in the head section with a removable face hole cover which increases patient's comfort (2 types of cover: round and crescent)
- Adjustable leg section from 0° to 90° with gas spring,
- Two-layer padding with non-flammable, bio-compatible and scratchproof, upholstery in many colours
- Powder coated, very stable scissor steel frame
- 2 side brackets for the fixation of stabilization belts and elastic bands
- Traction support sleeves
- Personal Authorization Safety System with 2 magnetic safety keys
- HalloTronic® System electric high/low height adjustment from 51 to 97 cm with a capacity up to 200 kg
- Powder coated steel high/low height adjustment foot bar accessible from each side of the table
- Non-slip rubber feet with 1 cm height adjustment allowing for the levelling of the table

Additional option:

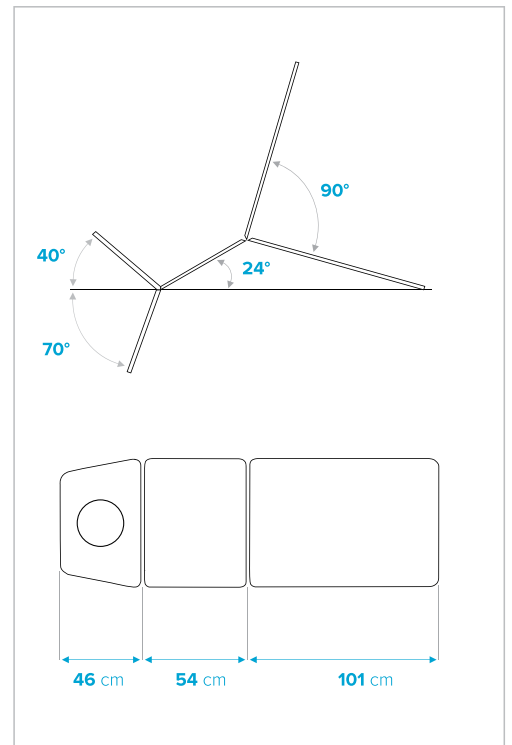
- Built-in surface heating system of table top (Comfort option)

Ordering information:

P3.F0: 3-section massage and treatment table with basic wheeling system composed of 2 small wheels and 2 legs with non-slip rubber feet.

P3.F4: 3-section massage and treatment table with dual-lever retractable castor wheeling system composed of 4 directional castors with central brake and 4 legs with non-slip rubber feet.

Table articulations:





Box dimensions: **220 x 85 x 75 cm** Weight: **+50 kg**



Length: **205 cm**



Height: **51-97 cm**



Width: **69(80) cm**



Weight: **102/115 kg**



Max load: **200 kg**

Features:

- 5-section massage and treatment table with the postural drainage setting
- Postural drainage with an electric motor operated by 2 switches from both sides of the table
- Width of table top: 69 or 80 cm
- Adjustable head section from -70° to +40° with a gas spring
- Round face hole in the head section with a removable face hole cover which increases patient's comfort (2 types of cover: round and crescent)
- Rotating slide-down arm rests in head section
- Adjustable leg section from 0° to 90° with a gas spring
- Two-layer padding with non-flammable, bio-compatible and scratchproof upholstery in many colours
- Powder coated, very stable scissor steel frame
- 2 side brackets for the fixation of stabilization belts and elastic bands
- Traction support sleeves
- Personal Authorization Safety System with 2 safety magnetic keys
- HalloTronic® System electric high/low height adjustment from 51 to 97 cm with a capacity up to 200 kg
- Powder coated steel high/low height adjustment foot bar accessible from each side of the table
- Non-slip rubber feet with 1 cm height adjustment allowing for the levelling of the table

Additional option:

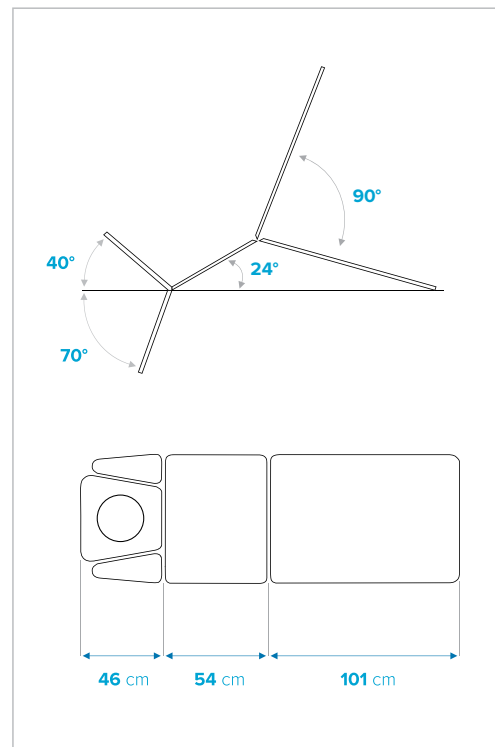
- Built-in surface heating system of table top (Comfort option)

Ordering information:

P5.F0: 5-section massage and treatment table with basic wheeling system composed of 2 small wheels and 2 legs with non-slip rubber feet.

P5.F4: 5-section massage and treatment table with dual-lever retractable castor wheeling system composed of 4 directional castors with central brake and 4 legs with non-slip rubber feet.

Table articulations:



Safari Line

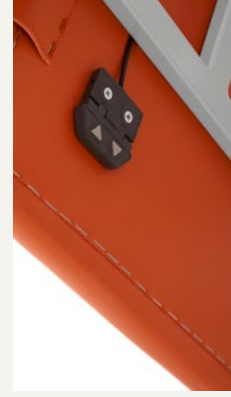


Technical data:

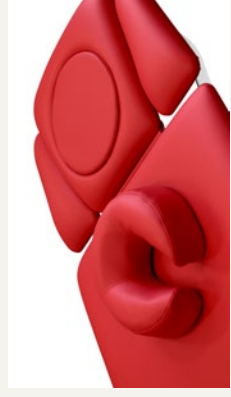
	Puma-S2	Puma-S4	Leopard-S3	Leopard-S5	Jaguar-P3	Jaguar-P5
Dimensions (length x width) [cm]:	202 x 69 (80)	202 x 69 (80)	205 x 69 (80)	205 x 69 (80)	205 x 69 (80)	205 x 69 (80)
Number of sections:	2	4	3	5	3	5
Head-rest inclination angle [°]:	-70/+40	-70/+40	-70/+40	-70/+40	-70/+40	-70/+40
Middle section inclination angle [°]:	-	-	-	--	0/+24	0/+24
Foot-rest inclination angle [°]:	-	-	0/+90	0/+90	-12/+90	-12/+90
Height adjustment [cm]:	49-95	49-95	49-95	49-95	51-97	51-97
Weight F0/F4 [kg]:	86/99	89/102	93/106	96/109	99/112	102/115
Max. lifting capacity [kg]:	200	200	200	200	200	200
Power supply [V/Hz]:	230/50	230/50	230/50	230/50	230/50	230/50
Max. working load [kg]:	300	300	300	300	300	300



Adjustment of head rest



Adjustment of postural drainage



2 types of breathing slot cover:
round and crescent



Built-in surface heating system
of table top (Comfort option)



Personal Authorization
Safety System (PASS)


Safari Hydraulic Tables

Massage and treatment tables with a powerful hydraulic actuator




 Box dimensions: **220 x 85 x 80 cm** Weight: **+50 kg**

 Length: **202/205 cm**

 Height: **49-98/51-100 cm**

 Width: **69/80 cm**

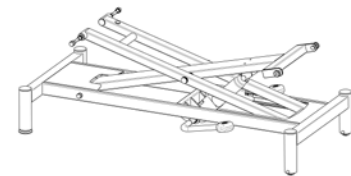
 Weight: **92-121 kg**

 Max load: **200 kg**

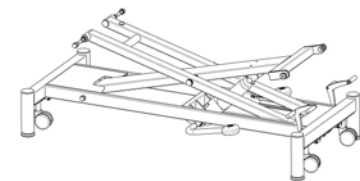
Features:

- High-class massage and treatment table with a powerful hydraulic actuator
- Width of table top: 69 or 80 cm
- Adjustable head section from -70° to +40° with a gas spring
- Round face hole in the head section with a removable face hole cover which increases patient's comfort (2 types of cover: round and crescent)
- Adjustable leg section from 0° to 90° with a gas spring
- Two-layer padding with non-flammable, bio-compatible and scratchproof upholstery in many colours
- Powder coated, very stable scissor steel frame,
- 2 side brackets for the fixation of stabilization belts and elastic bands
- Traction support sleeves
- Hydraulic high / low height adjustment with a capacity up to 200 kg
- High/low height adjustment with foot pedal accessible from both sides of the table
- Non-slip rubber feet with 1 cm height adjustment allowing for the levelling of the table

Frame F0-H



Frame F4-H



Technical data:

Technical data:	Puma-S2	Puma-S4	Leopard-S3	Leopard-S5	Jaguar-P3	Jaguar-P5
Dimensions (length x width) [cm]:	202 x 69 (80)	202 x 69 (80)	205 x 69 (80)	205 x 69 (80)	205 x 69 (80)	205 x 69 (80)
Number of sections:	2	4	3	5	3	5
Head-rest inclination angle [°]:	-70/+40	-70/+40	-70/+40	-70/+40	-70/+40	-70/+40
Middle section inclination angle [°]:	-	-	-	-	0/+24	0/+24
Foot-rest inclination angle [°]:	-	-	0/+90	0/+90	-12/+90	-12/+90
Height adjustment [cm]:	49-98	49-98	49-98	49-98	51-100	51-100
Weight F0/F4 [kg]:	92/105	95/108	99/112	102/115	105/118	108/121
Max. lifting capacity [kg]:	200	200	200	200	200	200



Accessories

Paper roll holder

To order a paper roll holder please specify the line of the table and the model.

1

2

3

4

5

6

7

8

9

Upholstery colour options*:

Enjoy the high quality upholstery in the colours you like!

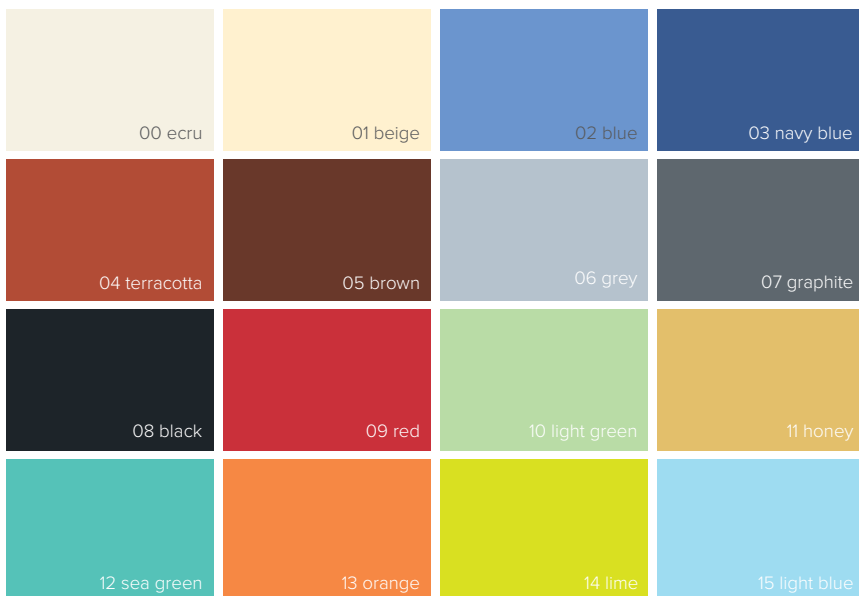
You can now choose non-flammable, bio-compatible and scratchproof upholstery for your tables, couches, stools as well as wedges and bolsters in colours matching the design and atmosphere of your place. Softness and high durability of the upholstery provide comfort to patients as well as therapists.

”

We have been distributing the equipment made by Meden-Inmed Sp. z o.o. since 2011 (including, but not limited to, massage treatment tables) and would like express our satisfaction with all the devices and service offered by the company. We recommend this equipment to all users who look for high quality products at good prices.

Cédric Meunier
CEO of SISSEL France

Standard upholstery colour:



Ordering information:

Part number

Description

001	Paper roll holder (1)
002-xx	Traction support (2)
003	Stabilization belt (3)
004	Kaltenborn wedge (4)
005-xx	Wedge (70 x 60 x 25 cm) (5)
006-xx	Wedge (50 x 35 x 20 cm) (6)
007-xx	Bolster (60 x 15 cm) (7)
008-xx	Semi-bolster (60 x 15 x 10 cm) (8)
009-xx	Semi-bolster (60 x 15 x 15 cm) (9)
010-xx	Wedge (40 x 30 x 12 cm) (10)
011-xx	Bolster (60 x 10 cm) (11)
012-xx	Bolster (60 x 20 cm) (12)

For ordering purposes, please use description, part number, hyphen, upholstery color number as indicated in the chart above, e.g.: to order a black bolster please use: **"Bolster 007-07"**



High-quality finish

Premium upholstery colour:



*All upholstered products except Sophie couch



Terapeuta Prestige B-S1 | 1-section table



Box dimensions: **220 x 136 x 75 cm** Weight: **+90 kg**



Length: **200 cm**



Height: **47-95 cm**



Width: **120 cm**



Weight: **150 kg**

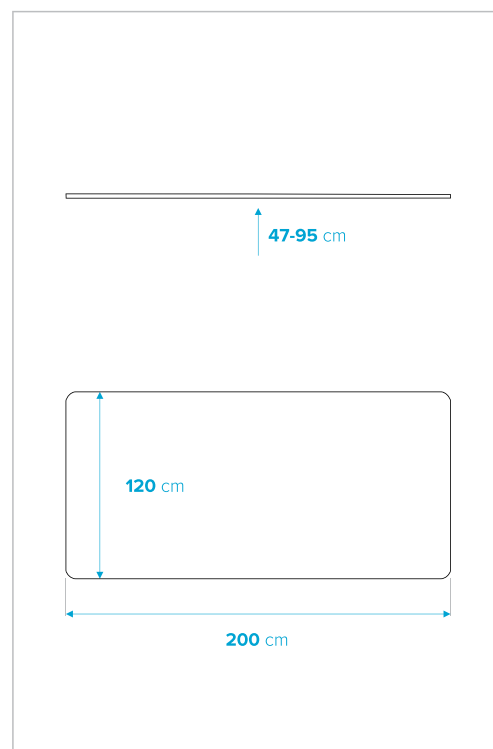


Max load: **225 kg**

Features:

- 1-section Bobath and Voyta treatment table
- Extra wide surface
- Two-layer padding with non-flammable, bio-compatible and scratchproof upholstery in many colours
- Powder coated, extremely wide and stable steel frame
- Personal Authorization Safety System with 2 magnetic safety keys
- HalloTronic® System for electric high/low height adjustment from 47 to 95 cm with a capacity up to 225 kg
- Powder coated steel high/low height adjustment foot bar accessible from each side of the table
- Non-slip rubber feet with 1 cm height adjustment allowing for the levelling of the table
- F4 wheeling system - dual-lever retractable castor wheeling system composed of 4 directional castors with central brake and 4 legs with non-slip rubber feet

Table articulations:



”

Special mechanism of lifting the table on 4 castors is very fast and easy to operate and allows for full mobility. High functionality of tables allow us to perform various therapies. In my Rehabilitation Center we work with three tables manufactured by Meden-Inmed and they fulfill all our requirements.

Tomasz Wojdylak

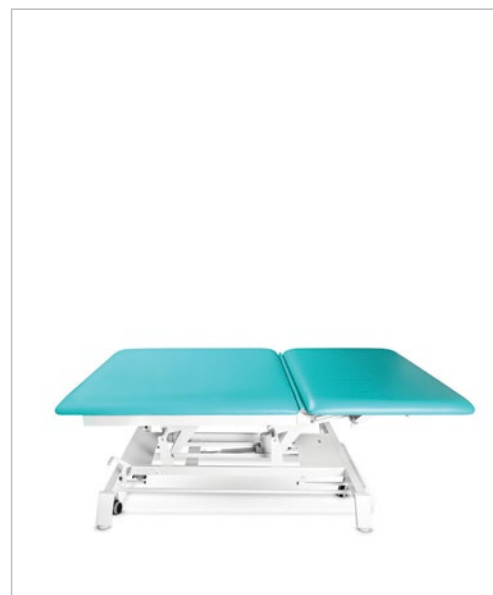
Manual Therapist, Owner of Tomed Rehabilitation Center

Ordering information:

B-S1.F4: 1-section massage and treatment table with dual-lever retractable castor wheeling system composed of 4 directional castors with central brake and 4 legs with non-slip rubber feet.



Terapeuta Prestige B-S2 | 2-section table



 Box dimensions: **220 x 136 x 75 cm** Weight: **+90 kg**

 Length: **203 cm**

 Height: **50-98 cm**

 Width: **120 cm**

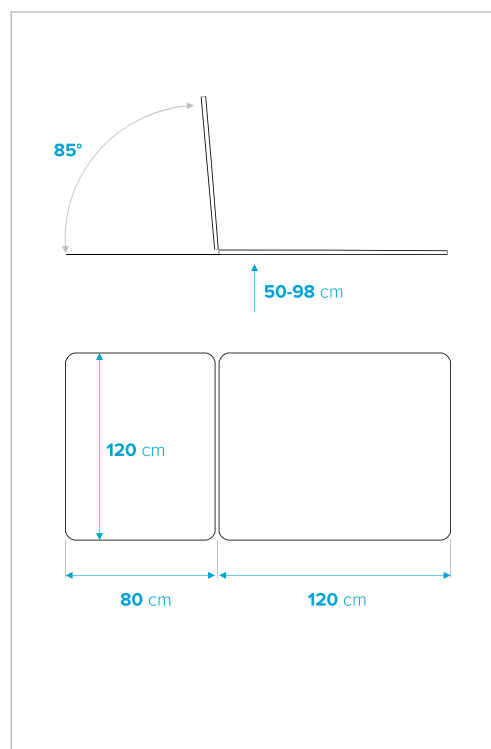
 Weight: **150 kg**

 Max load: **225 kg**

Features:

- 2-section Bobath and Voyta treatment table
- Extra wide surface
- Adjustable head section from 0° to +85° with gas spring
- Two-layer padding with non-flammable, bio-compatible and scratchproof upholstery in many colours
- Powder coated, extremely wide and stable steel frame
- Personal Authorization Safety System with 2 magnetic safety keys
- HalloTronic® System for electric high/low height adjustment from 50 to 98 cm with a capacity up to 225 kg
- Powder coated steel high/low height adjustment foot bar accessible from each side of the table
- Non-slip rubber feet with 1 cm height adjustment allowing for the levelling of the table
- F4 wheeling system - dual-lever retractable castor wheeling system composed of 4 directional castors with central brake and 4 legs with non-slip rubber feet

Table articulations:



Ordering information:

B-S2.F4: 2-section massage and treatment table with dual-lever retractable castor wheeling system composed of 4 directional castors with central brake and 4 legs with non-slip rubber feet.



Vertimo is a line of modern, 1-section or 2-section tilting tables produced by Meden-Inmed.



Box dimensions: **220 x 95 x 105 cm** Weight: **+50 kg**

Vertimo Classic - very stable 1-section tilting table with electric adjustment of verticalisation.

Features:

- 1-section table
- Electric motor for tilting adjustment
- Manual remote control for the adjustment of tilting angle with access authorization - with a special key placed in the remote control
- Brackets for the attachment of fastening belts and additional accessories
- Two-layer padding with non-flammable, bio-compatible and scratchproof upholstery in many colours
- Powder coated, very stable steel frame
- 4 large separately lockable castors (movement and rotation lock)

Technical data:

Number of sections:	1
Dimensions (L x W) [cm]:	190 x 69
Table top inclination angle [°]:	0-87 (±3)
Height adjustment [cm]:	53-103
Max. lifting capacity [kg]:	150
Weight [kg]:	75
Power supply [V/Hz]:	230/50

Standard accessories for Vertimo line:

- fastening belts

Additional accessories for Vertimo line:

- support table
- arm support



Box dimensions: **220 x 95 x 105 cm** Weight: **+50 kg**

Vertimo Hi-Lo - table for verticalisation and mobilisation. It is an excellent aid for patients after prolonged immobilization in lying position at gradual adaptation exercises from lying to standing position and treatment of patients with vasovagal syncope. Available in 3 versions:

- 1-section tilting table
- 2-section (**DUO**) tilting table
- 1-section (**Cardio+**) tilting table with faster verticalisation

Features:

- 1 or 2-section table
- 2 electric motors – one ensures smooth tilting; the other one adjusts height
- Electric height and tilting adjustment with manual remote control with the function of access authorization - authorization is done by a special key placed in the remote control
- Two-layer padding with non-flammable, bio-compatible and scratchproof upholstery in many colours
- Powder coated, very stable steel frame
- 2 separately adjustable footrests
- Brackets for the attachment of fastening belts and additional accessories
- 4 large separately lockable castors (movement and rotation lock)
- Tilt angle indicator
- Emergency battery back-up power supply (allows table lowering to min. height and return to horizontal position at power failures)

Technical data:

Number of sections:	1/2
Dimensions (L x W) [cm]:	190 x 69
Footrest length [mm]:	360
Table top inclination angle [°]:	0-87
Head section inclination angle [°]:	0-85
Footrest inclination angle [°]:	-18/+24
Height adjustment [cm]:	56-104
Max. lifting capacity [kg]:	150
Weight [kg]:	110
Power supply [V/Hz]:	230/50





Eleveo is a training device for simultaneous control of unloading, posture and balance on a treadmill or firm surfaces. Systems providing dynamic unloading are a perfect solution for training patients in a wide range of gait disorders.

Eleveo helps to maintain proper posture, reduces load, eliminates balance problems and improves motor coordination training. Unique harnesses are designed for uni- or bilateral support of the body as well as for a gradual level change from fully loaded to fully unloaded. The device allows for a manual controlled treatment of lower limbs and pelvis to ensure proper movement. Configurability of the device allows the clinics to treat various patients with a single Eleveo system. Extra options help to adjust the system to specific needs of each patient.

Freewalker

Neurological walker with adjustable height. Patient can lean his body on upholstered supports in order to relieve the lower limbs. Robust construction with 4 directional wheels.



Technical data:

Min. height [cm]:	85,5
Max. height [cm]:	123
Width (front) [cm]:	50,4
Width (rear) [cm]:	68,3
Hand rest thickness [cm]:	7



Box dimensions: **215 x 85 x 45 cm** Weight: **+25 kg**

Distinguishing features:

- battery-powered electric height adjustment (charged from a 230V wall outlet),
- two-point suspension with pelvis positioning and front-back inclination using 4 belts,
- electronic measurement unit for monitoring lateral and overall unloading level and visual feedback for the patient,
- four-wheel system with two wheels with full and two with directional brake (the wheels with directional brake allow for pre-setting the direction of movement prior to the treatment),
- the system can lower to 164 cm for an easy access to rooms with low doors (180 cm) or treatment of shorter patients,
- 88 cm wide frame allows an easy passage through most doors,
- maximum height of 234 cm,
- patient height of up to 210 cm,
- patient weight of up to 160 kg,
- front, back and sideways gait training,
- gait direction change possible without disconnecting the harness,
- variable angle adjustable handlebars,
- dynamic unloading system which allows for shifting the centre of gravity by at least 5 cm for a more physiological movement of the body during the training,
- including one universal suspension harness.

Technical data:

Width [cm]:	88/97
Height [cm]:	164-234
Depth [cm]:	135
Weight [kg]:	100
Max load [kg]:	160



(L) Box dimensions: **120 x 80 x 150 cm** Weight: **+7 kg**



(S) Box dimensions: **80 x 80 x 135 cm** Weight: **+5 kg**

How it works:

The patient exercises lower limbs synchronically with levers moved by hands through a special mechanism. The PIO apparatus stabilises the patient in the correct position. Provides necessary weight bearing important for proper movement of the hips, knees and tarsal joints which promotes synchronised movements simulating natural gait.

Combines passive exercising of lower limbs with active exercising of the upper limbs and body with nearly natural load put on the muscular and skeletal system.

Advantages of using PIO:

- Promotes upright position
- Increases breath capacity
- Stimulates circulatory system
- Prevents urinary system infections (helps to remove sediments in urinary tract)
- Provides dynamic load to osteoarticular system (e.g. lessens the risk of osteoporosis)
- Prevents muscle contracture and arthrosis

PIO is a device which enables performing of comprehensive exercises in upright position.

It is designed:

- for rehabilitation wards
- for home use

Comfort of exercise performing increase:

- Electronic timer-counter showing time of exercise and number of steps; acoustic alarm goes off if the exercise exceeds present time
- A shelf for portable music and video players, newspapers or books
- Comfortable backrest



Technical data:

	PIO for adults (L)	PIO for children (S)
Timer [min]:	1-59	1-59
Range of motion of lower limbs [°]:	max. ± 20 degrees from vertical	max. ± 18 degrees from vertical
Height of patient [cm]:	165-185	110-140
Max. weight of patient [kg]:	95	90
Colour of upholstery:	blue or black	terracotta
Dimensions (L x W x H) [mm]:	1100 x 850 x 1400	1020 x 660 x 910
Weight [kg]:	67	50
Power supply [V]:	battery 3V type Cr2032	battery 3V type Cr2032

Suggested exercise time:

minimum 2 times a day for 15 to 30 minutes

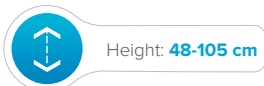
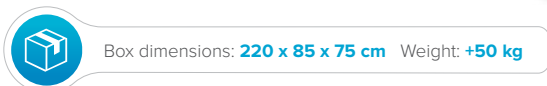




Electric height adjustment



Hydraulic height adjustment



Massage and treatment table **Nexus** is a perfect solution for manual therapy treating and mitigating injuries or impairments by restoring or improving massaged tissues and systems functions.

Massage and treatment table **Nexus** is based on a metal scissor base with excellent usability. It has been designed especially for masseurs and manual therapists, providing them stable and convenient table for their needs.

Using the latest technology, **Nexus** has matchless and eye-catching design and finish. Each of the components of the table is made with maximum precision and reliability.

With newest manufacturing technology and the most stringent production standards a stable, robust product was created, unrivalled in its price category.

Dimensions and operating parameters of the **Nexus** table have been developed with the help of engineers and specialists in the field of rehabilitation, cosmetology and massage. Thanks to the standards applied, we obtained a fully ergonomic design that provides comfort and safety for both the patient and therapist.

Features:

- Electric height adjustment with a hand bar accessible from each side of the table or hydraulic height adjustment with a lever
- Head section adjustment with a gas spring
- Stable scissor base
- Durable construction with maximum load up to 185 kg
- Equipped with access authorization system to protect against unwanted table settings change (only in electric version)
- Mobile - 2 wheels
- Aesthetic and modern design perfectly fits the design of most rehabilitation and SPA centres
- Upholstery is made of durable, waterproof materials
- Wide range of upholstery colours
- Available in two and four section version

Additional option:

- Built-in surface heating system of table top (Comfort option - available only with electric version)

Applications:


- Rehabilitation clinics
- Beauty salons

Technical data:

Number of sections:	2/4
Front section angle adjustment [°]:	+40/-70
Height adjustment [cm]:	48-105
Dimensions (L x W) [cm]:	202 x 70
Weight [kg]:	85
Maximum load [kg]:	185
Power supply [V/Hz] (only electric version):	230/50






 Box dimensions: **215 x 90 x 95 cm** Weight: **+30 kg**

 Length: **205 cm**

 Height: **61-94 cm**

 Width: **80 cm**

 Weight: **165 kg**

 Max load: **150 kg**

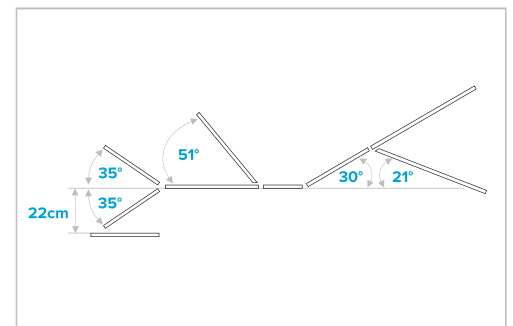
Professional SPA salon or Wellness centre requires highest quality equipment. To meet the needs of the most demanding customers we designed the **Sophie** couch. Exclusive 7-section couch is made with the highest care from materials providing trouble-free operation for many years. Aesthetic design will turn your surgery into a unique place where everyone will feel special.

Features:

- 7-section massage couch with electric height adjustment by the means of a remote (controller)
- Adjustment of position of 3 sections by means of a remote (controller)
- Aesthetic design with built-in lifting mechanism
- Easy adjustment of couch sections
- Easy adjustment of headrest by means of gas spring
- Headrest with shaped face hole with plug
- Foldable armrests
- Possibility to rotate armrests horizontally (up to 90° outside)
- Multi-layered and very soft upholstery made of certified materials
- Foam layers resistant to deformation
- Security system to avoid unwanted change of settings; equipped with a magnetic access key
- 4 directional wheels with central blocking system

Additional option:

- Built-in surface heating system of table top (Comfort option)



Technical data:

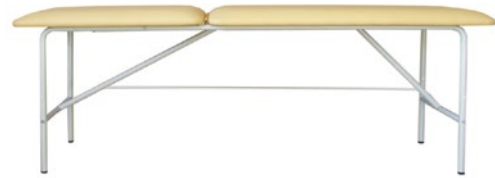
No. of sections:	7
Height adjustment [cm]:	61-94
Dimensions [L x W] [cm]:	205 x 80
Weight [kg]:	165
Max. lifting capacity [kg]:	150
Power supply [V/Hz]:	230/50



LZD-1, LZM-3 | Medical examination couches



Box dimen.: **220 x 95 x 100 cm** Weight: **+50 kg**



Box dimen.: **198 x 66 x 17 cm** Weight: **+2 kg**

Wooden couch LZD-1*:

Ergonomic wooden couches produced by Meden-Inmed recommended especially for electrotherapy and ECG examination. They are also perfect for wellness and rehabilitation centres.

The comfort of both the patient and the therapist was the main idea while constructing this model and there are no problems with putting the patient in the appropriate position thanks to the adjust ability of the headrest. The couch can be easily placed in any medical practice thanks to the wide range of colours of its liquid-proof padding which meets all the standards. The frame is made of high-quality pine tree and the client can choose its colour to be either natural or wood-stained.

Features:

- Fixed height
- Stable frame
- 2-section upholstery
- Adjustable head rest
- Soft and comfortable padding
- Paper towel hanger

Technical data:

Number of sections:	2
Front section angle adjustment [°]:	0/+25
Dimensions (L x W) [cm]:	187 x 64
Height [cm]:	70
Maximum load [kg]:	150
Maximum paper width [cm]:	50
Weight [kg]:	35

***LZD-1M contains metal elements**

Metal couch LZM-3:

Frame made of steel sections, with powder-painted coating resistant to mechanical damage.

Features:

- Adjustable head rest (from 0° to 50°)
- Padding with non-flammable, bio-compatible and scratchproof upholstery in many colours
- Powder coated, very stable steel frame
- Paper towel hanger (option)

Technical data:

Number of sections:	2
Front section angle adjustment [°]:	0/+50
Dimensions (L x W) [cm]:	193 x 61
Height [cm]:	65
Maximum paper width [cm]:	60
Weight [kg]:	35


Option:




Paper roll hanger



 Box dimensions: **80 x 60 x 136 cm** Weight: **+7 kg**

 Length: **74 cm**

 Height: **176 cm**

 Width: **48 cm**

 Weight: **27/30/33 kg**

Solmed UNO is an infrared irradiation lamp intended for heat treatment of tissues with the use of infrared rays. Optional filters included allow for an easy change of the IR light characteristics. Single IR radiator. Used in treatment of chronic and subacute inflammatory and pain syndromes. Also used as a preparation treatment before massage, manual therapy, iontophoresis or kinesiotherapy. Available in the high-power version with 2 or 3 radiators (**Solmed DUO**, **Solmed TRIO**).

Operational characteristic:

- IR light emission
- 1 (Solmed UNO), 2 (Solmed DUO) or 3 (Solmed TRIO) radiators
- Easy radiator position adjustment
- Easy height adjustment via gas spring (concealed inside the stand)
- Radiator has a reflector to minimise IR light leak
- Built-in fan and filter holder system
- Security mesh protects the user from accidental burns or shatter debris
- Irradiation power adjustment
- Treatment time adjustment
- Easy to use operating panel
- Base with 4 casters with brakes
- Low base for use with Terapeuta and Galaxy treatment tables
- Protective glasses for therapist and patient included
- Fan operation control and diagnostics
- Height regulation up to 580 mm

Technical data:

Duration of treatment [min]:	to 30
Power supply [V/Hz]:	230/50
Maximum bulb power (UNO/DUO/TRIO) [W]:	375/750/1125
Power consumption (UNO/DUO/TRIO) [W]:	395/770/ 1140
Fuses:	2 x T8AH/250 V
Power adjustment [%]:	10-100
Dimensions (L x W x H) [cm]:	74 x 48 x 176
Weight [kg]:	27/30/33
Medical device class:	II a

Standard components:

- Unit with 1, 2 or 3 heads
- Bulbs (1, 2 or 3)
- Red filter (1, 2 or 3) and blue filter (1, 2 or 3)
- Large protective goggles for the operator (1)
- Small protective goggles for the patient (1)
- Assembly kit and instruction manual

Additional components:

- Green filter
- Orange filter



Solmed UVA-B | Ultraviolet irradiation lamp



 Box dimensions: **80 x 60 x 146 cm** Weight: **+7 kg**

Main indications to the use of UV light:

- Skin disorders (acne vulgaris etc.)
- Furuncles
- Inflammation of soft tissue
- Alopecia areata
- Thropic ulcerations, slow-healing wounds
- Psoriasis
- Respiratory system conditions (nose and throat conditions, chronic bronchitis, asthma), laryngological diseases
- Rheumatoid diseases (soft tissue rheumatic conditions, rheumatoid arthritis, arthrosis)
- During convalescence
- Hypofunction of endocrine glands
- Hindered bone tissue adhesion
- Prevention of rickets

Technical data:

Duration of treatment [min.]:	1-15 (option 1-60)
Power supply [V/Hz]:	230/50
Max. single radiator power [W]:	20
Max. power consumption (4/6 radiators - option) [W]:	80/120
Fuses:	2 x T8AH/250 V
Dimensions (L x W x H) [cm]:	62 x 48 x 187
Weight [kg]:	32

Solmed UVA-B is an ultraviolet irradiation lamp intended for treatment with the use of wide spectrum of ultraviolet rays.

The lamp is applicable to the treatment of certain affections, improves metabolism, improves bone remineralisation, stimulates endocrine glands, improves oxygen metabolism, lowers hypertension and has beneficial influence on the haematopoiesis.

Intended users are physiotherapy, rehabilitation units and sanatoriums.

Functions:

- Irradiation
- Adjustable treatment time
- Adjustment of the radiators position
- Adjustment of the radiators height





Box dimensions: **40 x 32 x 15 cm** Weight: **+1 kg**

Invacmed is a modern 2-channel device for combined vacuum massage and electrotherapy treatment. The efficiency and intensity of the therapeutic treatment by vacuum wave is increased with the use of electrotherapy. It supports electrotherapeutic treatment in case of limb swelling caused by injuries, in acute and chronic pain, peripheral circulation disorder, vein and lymphatic stagnation and to achieve muscle relaxation in spastic condition.

Features:

- 2 independent channels
- Possibility to perform vacuum massage without the currents application to stimulate blood circulation and metabolism
- Cooperation with electrotherapy units
- Fast, practical fixing of electrodes in hard-to-reach places of the body
- Perfect electrode adherence to the body
- Independent electrotherapy electrode connection
- Constant and pulsating vacuum
- Low noise operation
- Electronic control and protection against too high vacuum force
- Indication of water tank filling
- Power saving operation

Technical data:

Vacuum wave frequency [pulses/min.]:	15-90
Vacuum [mbar]:	400
Number of electrodes:	4
Power supply [V/Hz]:	230/50
Current consumption [A]:	0,1
Dimensions [mm]:	335 x 135x 325
Weight [kg]:	3,4



Standard accessories:

- 4 vacuum electrodes (60 mm) with viscose inserts
- full set of electrode cables
- electrotherapy device connecting cable
- power supply cable

Optional accessories:

- electrodes (30 and 90 mm)
- viscose inserts (30 and 90 mm)



Trolleys and ergonomic stools



 Box dimensions: **80 x 60 x 105 cm** Weight: **+7 kg**

Trolmed SPA-2 designed mainly for electrotherapy, ultrasound, ECG and diagnostic devices. Its design makes it easy to build a treatment set consisting of various devices. In addition, it is possible to mount a basket and a power cable with 2 plugs.

Features:

- Powder coated steel
- 2 shelves
- 4 transport wheels; two front ones with brake
- Removable 22l basket (optional accessory)
- Power cable with 2 plugs (optional accessory)

Technical data:

Depth [mm]	430
Width [mm]:	540
Height [mm]:	890
Number of shelves:	2
Maximum load [kg]:	25 per shelf
Upper shelf dimensions [mm]:	365 x 500
Lower shelf dimensions [mm]:	425 x 500
Basket capacity [l]:	22
Weight [kg]:	

Additional accessories:



 Box dimen.: **60 x 59 x 24 cm** Weight: **+1,5 kg**

FLEXI Saddle stool: lightweight and comfortable stool for physicians and therapists with chrome-plated base and column.

Features:

- Poromeric leather
- Height adjustment
- Tilting seat (front / back)
- Chrome-plated base
- Rubberised castors

Technical data:

Height [cm]:	50-70
Tilting adjustment [°]:	15
Max. load [kg]:	150
Weight [kg]:	7

Option:

- version with self breaking castors



 Box dimen.: **60 x 59 x 18 cm** Weight: **+1 kg**

SITMED Round stool: lightweight and comfortable stool for physicians and therapists.

Features:

- Poromeric leather
- Height adjustment
- Chrome-plated base
- Rubberised castors

Technical data:

Height [cm]:	52-72
Max. load [kg]:	150
Weight [kg]:	6 kg

Option:

- version with self breaking castors

Mohican | Adjustable hygiene chair



Mobile hygiene chair with adjustable height and positioning is protected against water, dirt or hair while bathing, shaving or grooming the patient. Adjusted with a manual remote controller for optimal positioning of the patient. Mohican allows for an easy access to the shower and helps in moving the patient around at home or in care facilities of all kinds. Suitable for the elderly or people with all kinds of disabilities who might need help in taking care of their personal hygiene.

Product overview:



1. Lower frame including electric hi-lo actuator and 4 wheels with brakes
2. Upper frame with foldable armrests and electric actuator for backrest positioning
3. Seat that allows the patient to assume a comfortable position while caring for their personal hygiene
4. Adjustable, foldable footrests (removable without tools)
5. Manual remote control to adjust height and seat and backrest positioning



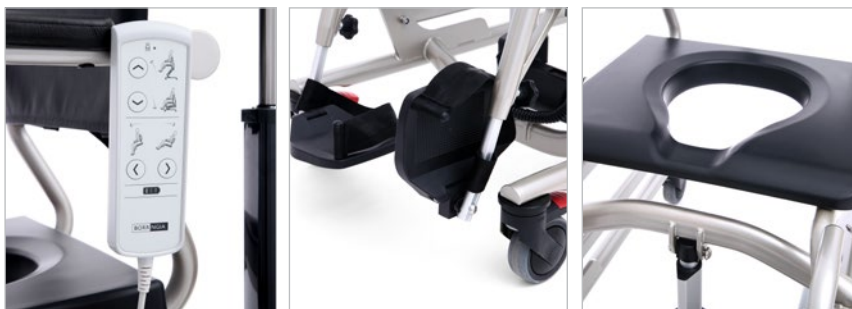
Box dimensions: **120 x 80 x 140 cm** Weight: **+30 kg**

Product features:

- Grips for easy movement
- Waterproof, easy to clean backrest
- PU foam seat with an opening to help with patient hygiene
- Two waterproofed, dustproofed, battery-powered actuators
- Manual remote controller
- 4 blockable wheels
- Optional headrest for maximum comfort of the patient

Optional accessories:

- Adjustable chest belt - easy to use
- Velcro straps for legs - easy to remove and clean
- Extra battery - high-capacity pack for longer use



Technical data:

Size (LxW) [cm]:	110 x 57
Distance between armrests [cm]:	47
Seat tilt [°]:	+7 to -30
Max. load [kg]:	150
Weight [kg]:	44
Height adjustment [cm]:	53-93
Power [V]:	24



KTM, KTM BO

Fine motoric tables for manual hand exercises



Box dimensions: **80 x 60 x 107 cm** Weight: **+7 kg**

KTM:

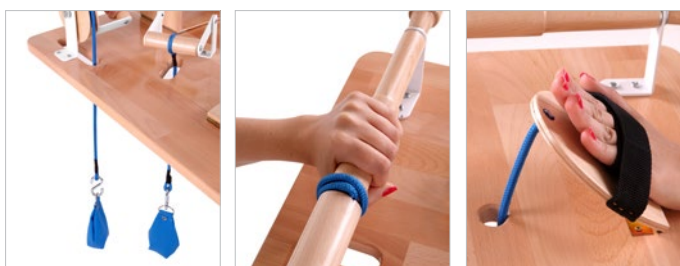
- The exercises on the tables improve the ability to daily activities
- Therapeutic rehabilitation in case of orthopedic, rheumatological and neurological disease of hand
- For use in the hospitals (in rehabilitation, surgical or neurological wards) as well as in outpatient rehabilitation
- Improve the manipulation skills, motor coordination of hand and eye-hand coordination
- For dorsiflexion, palmar flexion and rotation in wrist joint, conversion and inversion of the forearm

Accessories:

- Circle with handle - for conversion and inversion of the forearm
- Handle - for dorsiflexion and palmar flexion in wrist joint
- Flap - for dorsiflexion and palmar flexion in wrist joint
- Vertical spiral - for rotation in wrist joint
- Horizontal roller - for dorsiflexion and palmar flexion in wrist joint
- Arm stabilizer (stabilizer axis adjustment in the range of 0-90°)

Technical data:

Table top dimensions (W x L) [cm]:	52 x 86
Height adjustment [cm]:	54-86
Mass [kg]:	10
Plummet mass (5 items) [kg]:	0,25/item

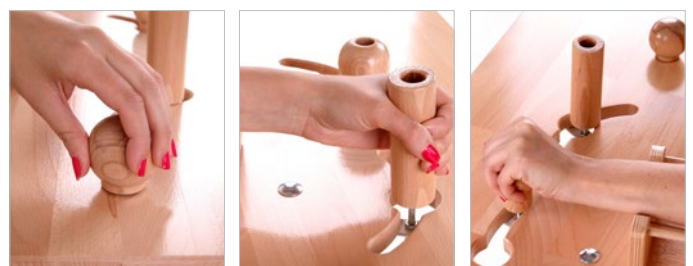


KTM BO:

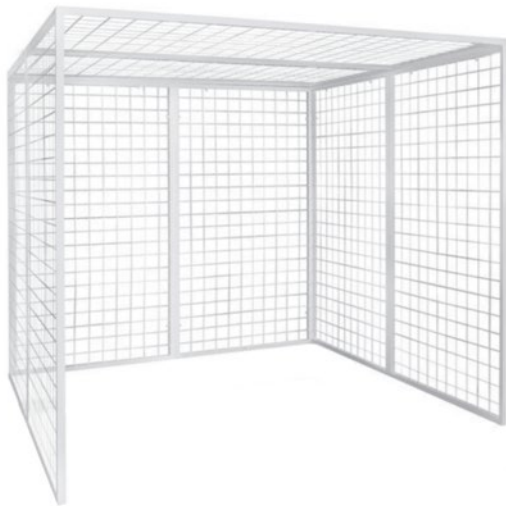
- Horizontal spiral - for rotation in wrist joint
- Vertical roller with the spring - for dorsiflexion and palmar flexion in wrist joint
- Vertical ball with the spring - for abduction and adduction in wrist joint
- Pin - for improvement of manipulatin skills
- Knob - for improvement of manipulatin skills
- Arm stabilizer (stabilizer axis adjustment in the range of 0-90°)

Technical data:

Table top dimensions (W x L) [cm]:	72 x 52
Height adjustment [cm]:	54-86
Mass [kg]:	8,4



KC - Treatment Cage for Pulley Therapy:

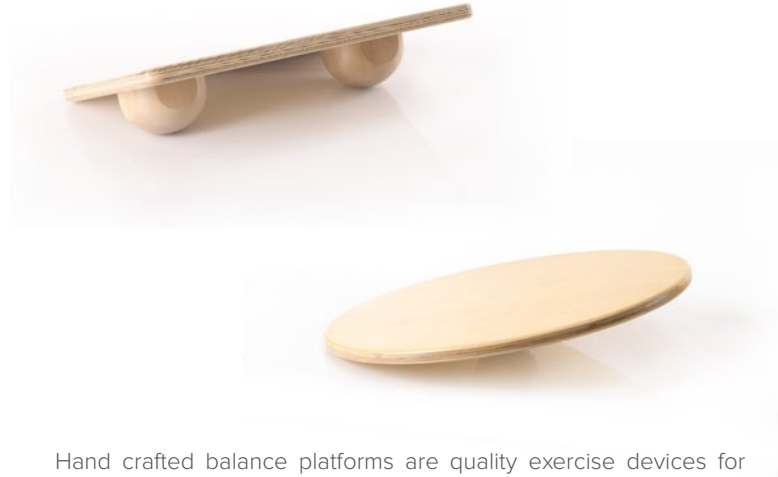


Used for treatment in locomotor system pathologies for individual exercises. Complete workstation consists of: KC-1 cage, treatment table, set of accessories (ropes, slings, etc.). Standard cage KC-1 is composed of 8 detachable panels (rectangular steel grids for attachment of various accessories during training). Made from steel painted with white powder epoxy.

Technical data:

Dimensions (H x W x D) [mm]:	2000 x 2000 x 2000
Dimensions of 1 panel [mm]:	1000 x 2000 x 30
Mass of 1 panel [kg]:	22,5
Total mass [kg]:	180

PDB-1 and PDB-2 - balance boards:



Hand crafted balance platforms are quality exercise devices for balance and proprioceptive exercises. Improve coordination, concentration and motor function, actively strengthen core muscles, ankles, knees, legs and back. Stimulate the inner ear to develop static and dynamic balance and gravitational orientation in conjunction with eyeball movement. Develop and improve movement smoothness.

Made from high-quality plywood with hardwood ball. Quality lacquer finish for easy maintenance and long lasting use. Optional version with sandals with straps attached to the pad.

Technical data:

	PDB-1	PDB-2
Balance balls:	1	2
Platform shape:	round	rectangular
Platform size/diameter [mm]:	500	400 x 300
Height [mm]:	72	72
Max load [kg]:	150	150

UCS - appliance for ankle joint exercises:

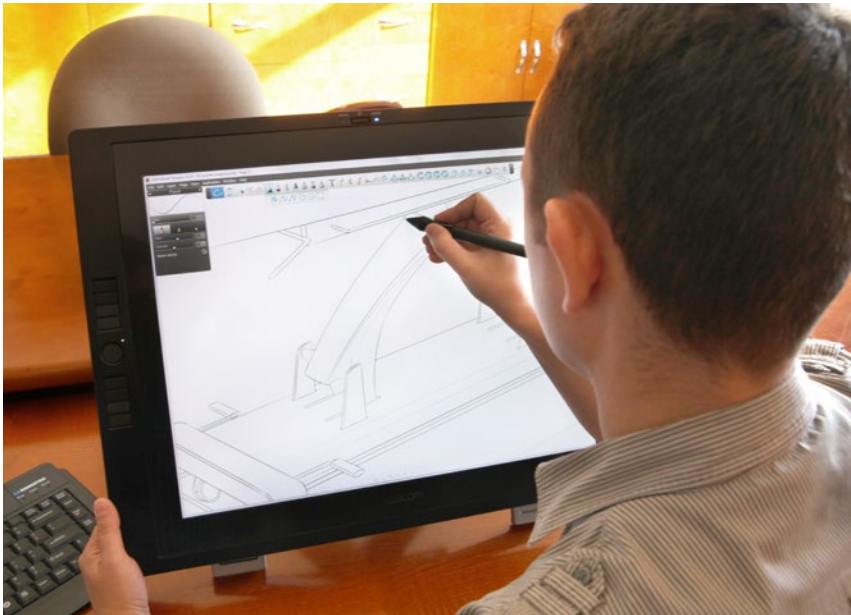


Appliance dedicated for performance of movements in sitting position: flexion, extension, adduction, abduction or rotation during the exercises with and without load. There is possibility of angle adjustment and blockade of foot rotation around longitudinal and transverse axis, as well as loading in these directions. Foot fixing is performing by the means of sandal with plywood sole and leather straps with fastener.

Technical data:

Adjustment of rotation angle of foot longitudinal axis:	±35°
Adjustment of rotation angle of foot transverse axis:	±35°
Load adjustment of foot longitudinal axis [kg]:	0 or 1
Load adjustment of foot transverse axis [kg]:	0 or 1
Dimensions (L x W x H) [mm]:	565 x 435 x 290
Plummet weight [kg]:	1
Appliance weight without plummets [kg]:	6

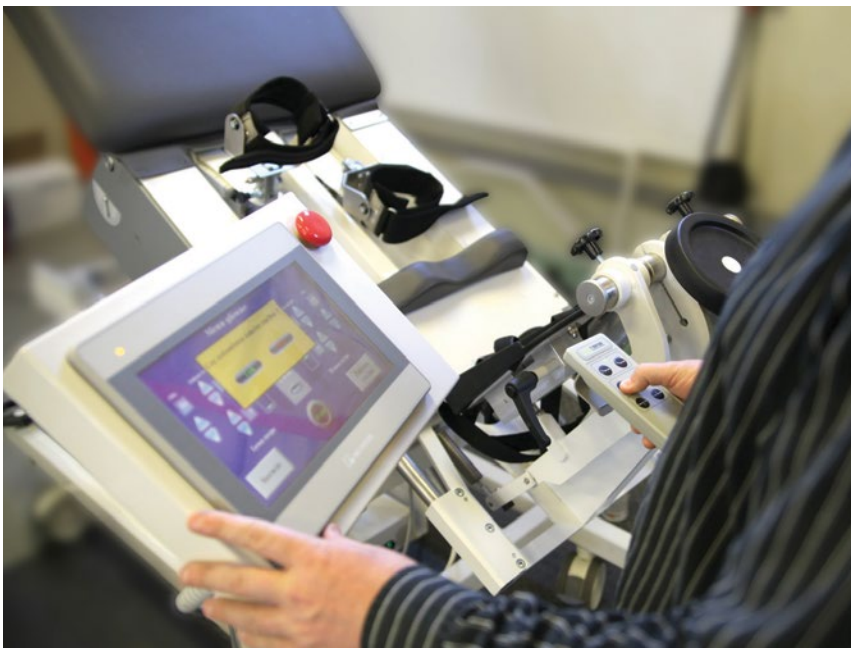
Production and R&D Department



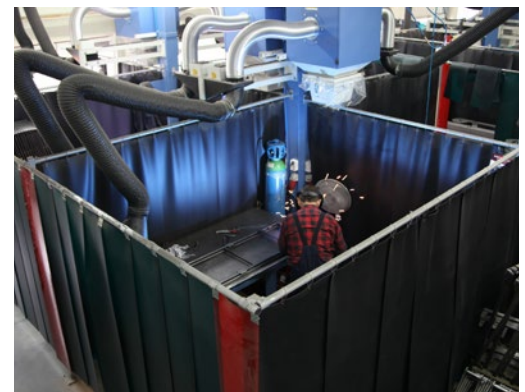
Since the very beginning of our work we produce professional medical devices. Thanks to the investments made, our production lines are equipped with the highest quality devices for mechanical and electronic production. In recent years we have expanded our facilities by purchasing CNC machining centers and powder painting shop. In addition to the excellent machinery, we are proud to boast a qualified research team, and experienced production staff.

Thanks to the modern production technology, the experienced designers team and close cooperation with medical industry representatives - our medical devices are appreciated in Poland and worldwide. Due to the extensive offer of manufacturing capabilities we also provide contract services in the field of design, development and final product manufacturing, based on our own documentation or the documentation provided by the customer.

We look forward to cooperating with you.



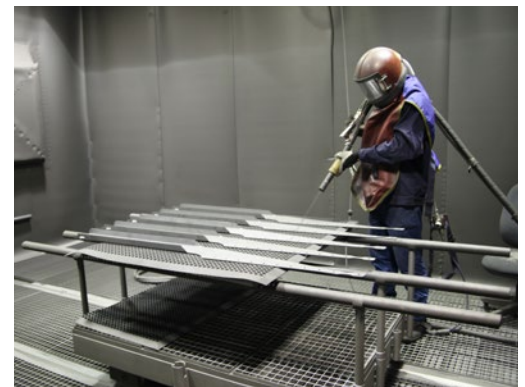
Modern powder painting line



Welding shop



Laser



Sand blasting





MEDEN-INMED Sp. z o.o.

ul. Wenedów 2, 75-847 Koszalin

Phone: +48 94 344 90 50, +48 94 344 90 78

Fax: +48 94 347 10 41

Mobile: +48 602 668 002, +48 601 646 866

E-mail: km@meden.com.pl, tg@meden.com.pl

www.meden.com.pl

