



## Endo-Cart - medical equipment cart

Link to product:

<http://meden.com.pl/offer/other-medical-devices-and-equipment/214-endo-cart-medical-equipment-cart.html>

Available online only

Condition: New

### Informacje:

**ENDO-CART** is a versatile cart designated for **carrying medical equipment**, such as the following **Richard Wolf** endoscopy devices:

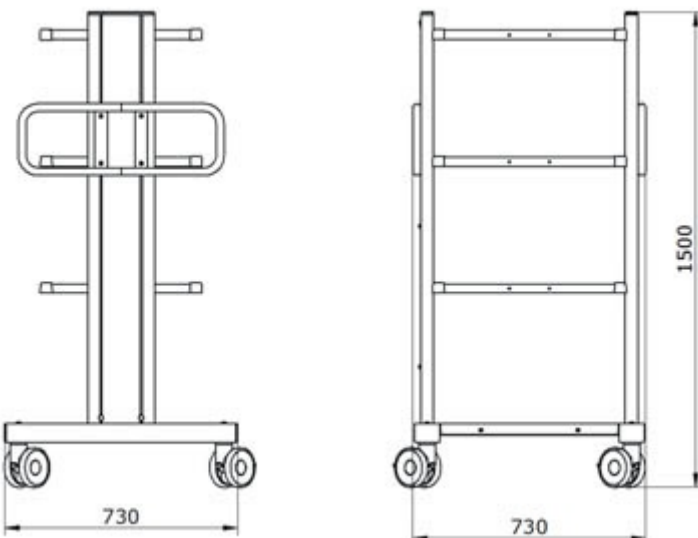
- Endoscopic cameras,
- Monitors,
- Light sources,
- Pumps,
- Diathermies,
- Shavers,
- Fibre-optic cables,
- Lasers,
- Registration and archive devices.



### Product description:

**ENDO-CART** is characterised by stability, reliability and user-friendliness. It is a result of a well-thought-out construction, applied production technology and quality assurance system.

### ENDO-CART 150



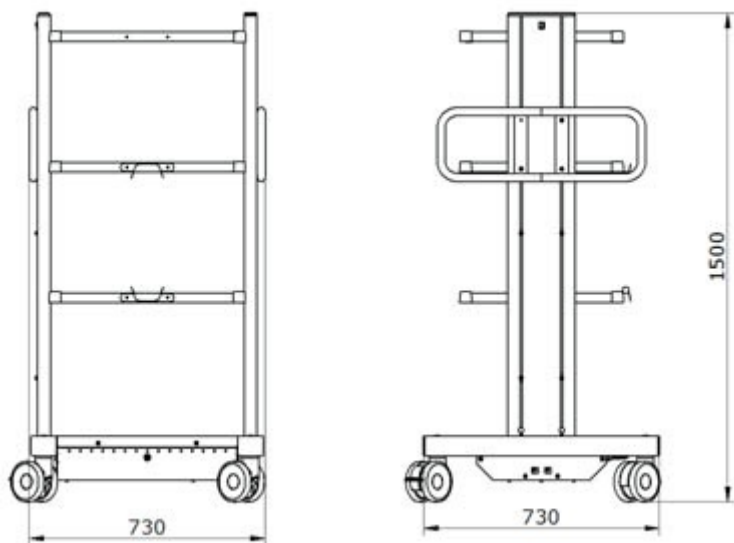
### Technical data:

**Height [mm]:**

1500

<b>Length [mm]:</b>	670
<b>Width [mm]:</b>	690
<b>Maximum load [kg]:</b>	120
<b>Weight [kg]:</b>	70

**ENDO-CART 150E / ENDO-CART 150ET\***

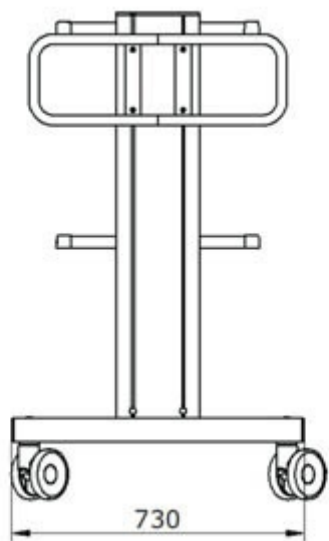


**Technical data:**

<b>Height [mm]:</b>	1500
<b>Length [mm]:</b>	670
<b>Width [mm]:</b>	690
<b>Maximum load [kg]:</b>	120
<b>Weight [kg]:</b>	70 / 80*
<b>Voltage [V/Hz]:</b>	230/50
<b>Power output [VA]:</b>	max. 2000
<b>Electrical safety:</b>	class I

\*unit with a separation transformer

**ENDO-CART 120**

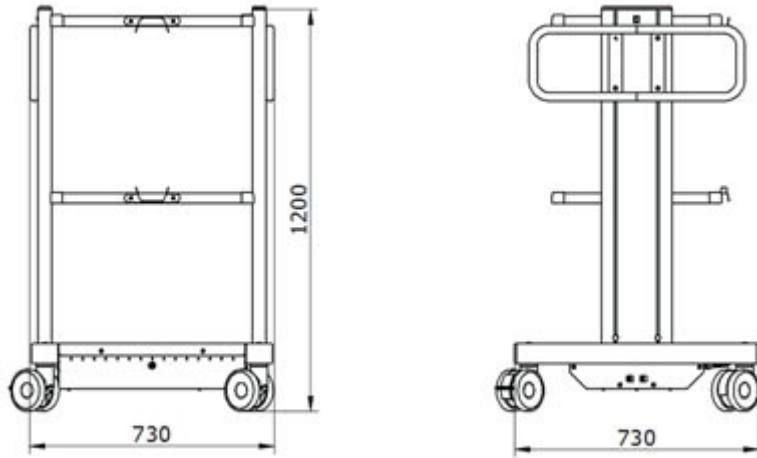


**Technical data:**

<b>Height [mm]:</b>	1200
<b>Length [mm]:</b>	670

<b>Width [mm]:</b>	690
<b>Maximum load [kg]:</b>	100
<b>Weight [kg]:</b>	55

#### ENDO-CART 120E / 120ET\*



#### Technical data:

<b>Height [mm]:</b>	1200
<b>Length [mm]:</b>	670
<b>Width [mm]:</b>	690
<b>Maximum load [kg]:</b>	120
<b>Weight [kg]:</b>	70 / 80*
<b>Voltage [V/Hz]:</b>	230/50
<b>Power output [VA]:</b>	max. 2000
<b>Electrical safety:</b>	class I

\*unit with a separation transformer

#### Endo-Cart accessories and additional equipment:

**ENDO-CART** has been designed in a way which allows it to be extended with the use of additional equipment. Grooves on each side of the cart are specially adapted for a fast installation of additional equipment, i.e.:

- Camera grip,
- Fibre-optic cable grip,
- Drip grip,
- Pump grip,
- CO2 cylinder grip.